

READ THIS MANUAL CAREFULLY!
It contains important safety information

CF500-5C/CF625-C

4 × 4

OWNER'S MANUAL

This ATV should not be ridden by anyone under 16 years of age.
Passengers under 12 are prohibited.
This ATV is an off-road vehicle.

⚠ WARNING

Improper vehicle use can result in SEVERE INJURY or DEATH



ALWAYS USE
AN APPROVED
HELMET AND
PROTECTIVE
GEAR



NEVER USE
ON PUBLIC
ROADS



NEVER USE
WITH DRUGS
OR ALCOHOL

NEVER:

- Operate without proper training or instruction.
- Operate on public roads. A collision can occur with another vehicle.
- Operate at speeds too fast for your skills or the conditions.
- Use ALCOHOL or DRUGS before or while operating this vehicle.

ALWAYS:

- Avoid paved surfaces, which may adversely affect handling and control.
- Use proper RIDING TECHNIQUES to avoid vehicle overturns on hills and rough terrain, and in turns.
- Wear eye protection, helmet and protective clothing.

**READ OWNER'S MANUAL.
FOLLOW ALL INSTRUCTIONS AND WARNINGS.**

⚠ WARNING

The engine exhaust fumes from this product contains
Chemicals known to cause cancer, birth defects
Or other reproductive harm.

A card containing important ATV safety information should be attached to the owner's manual on the next page. If you cannot locate this card, or if it has been removed, please contact your dealer.

INTRODUCTION

Congratulations on your purchase of the ATV.

This manual will provide you with a good basic understanding of the features and operation of this ATV. This manual includes important safety information.

It provides information about special techniques and skills necessary to ride your ATV. It also includes basic maintenance and inspection procedures. If you have any questions regarding the operation or maintenance of your ATV, please consult your dealer.

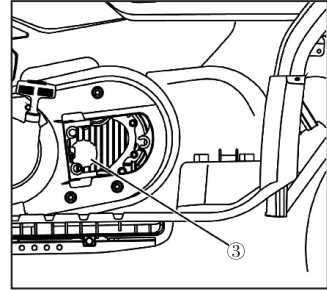
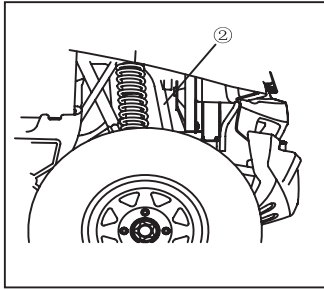
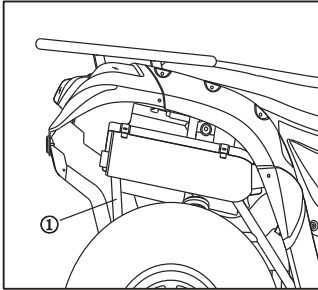
The manufacturer reserves the rights to make any improvement on the product at any time without prior notice and without any obligation whatever

TABLE OF CONTENTS

VEHICLE IDENTIFICATION NUMBERS.....	1
SAFETY.....	2
FEATURES AND CONTROLS.....	35
OPERATION.....	54
MAINTENANCE AND LUBRICATION.....	78
CLEANING AND STORAGE.....	118
TROUBLESHOOTING.....	124
PCODE SHEET.....	132
SPECIFICATIONS.....	135
ELECTRICAL DIAGRAM.....	143

VEHICLE IDENTIFICATION NUMBERS

Record your ATV's identification numbers in the spaces provided. Remove the spare key and store it in a safe place. Your key can be duplicated by using one of you existing keys. If you lose both, you will require a replacement ignition barrel and keys.



1. Frame VIN: _____

2. Vehicle Model Number: _____

3. Engine Serial Number: _____

SAFETY

Operator Safety

▲ WARNING

Failure to follow the warnings contained in this manual can result in serious injury or death. An ATV is not a toy and can be hazardous to operate. This vehicle handles differently from other vehicles, such as motorcycles and cars. A collision or rollover can occur quickly, even during routine maneuvers like turning, or driving on hills or over obstacles, if you fail to take proper precautions.

Read and understand your owner's manual and all warnings before operating an ATV.

Age Restrictions

This vehicle is an ADULT VEHICLE ONLY. Operation is prohibited for anyone under the age of 16.

Know Your vehicle

As the operator of the vehicle, you are responsible for your personal safety, the safety of others, and the protection of our environment. Read and understand your owner's manual, which includes valuable information about all aspects of your vehicle, including safe operating procedures.

Safety Training

When you purchased your new ATV, your dealer offered a hands-on safety training course that covers all aspects of vehicle safety. You were also provided with printed materials that explain safe operating procedures.

SAFETY

Operator Safety


You should review this information on a regular basis.

If you purchased a used ATV from a party other than a dealer, you can request this free safety training from any authorized dealer.

This ATV is an off-road vehicle. Familiarize yourself with all laws and regulations concerning the operation of this vehicle in your area.

We strongly advise you to strictly follow the recommended maintenance program outlined in your owner's manual. This preventive maintenance program is designed to ensure that all critical components on your vehicle are thoroughly inspected at specific intervals.

The following signal words and symbols appear throughout this manual and on your ATV. Your safety is involved when these words and symbols are used. Become familiar with their meanings before reading the manual.

 The safety alert symbol, on your vehicle or in this manual, alerts you to the potential for personal injury.

WARNING

The safety alert warning indicates a potential hazard that may result in serious injury or death.

CAUTION

The safety alert caution indicates a potential hazard that may result in minor personal injury or damage to the vehicle.

CAUTION

A caution indicates a situation that may result in damage to the vehicle.

NOTE

A note will alert you to important information or instructions.

SAFETY

Operator Safety

▲ WARNING

Serious injury or death can result if you do not follow these instructions and procedures, which are outlined in further detail within your owner's manual.

- Read this manual and all labels carefully, and follow the operating procedures described.
- Never operate an ATV without proper instruction. Take a training course. Beginners should receive training from a certified instructor. Contact an authorized ATV dealer to find out about the training courses nearest you.
- Never allow anyone under 16 years of age to operate this ATV.
- Never permit a guest to operate the ATV unless the guest has read this manual and all product labels and has completed a certified safety training course.
- Always avoid operating an ATV on paved surfaces , including side-walks , driveways , parking lots , and streets.
- Never operate an ATV on a public street, road or highway, including a dirt or gravel road.
- Never operate an ATV without wearing an approved helmet that fits properly. Always wear eye protection (goggles or face shield), gloves, boots, a long-sleeved shirt or jacket, and long pants.
- Never consume alcohol or drugs before or while operating an ATV.
- Never operate at excessive speeds. Travel at speeds appropriate for the terrain, visibility and operating conditions, and your experience.
- Never attempt wheelies, jumps or other stunts.
- Always inspect your ATV before each use to make sure it s in safe operating condition.
- Always follow the inspection and maintenance procedures and schedules outlined in your owner s manual.

SAFETY

Operator Safety

- Always keep both hands on the handlebars and both feet on the foot-rests of the ATV during operation.
- Always travel slowly and use extra caution when operating on unfamiliar terrain. Be alert to changing terrain conditions.
- Never operate on excessively rough, slippery, or loose terrain.
- Always follow proper turning procedures as described in this manual. Practice turning at low speeds before attempting to turn at faster speeds. Do not turn at excessive speeds.
- Always have the ATV inspected by an authorized dealer if it s been involved in an accident.
- Never operate on hills too steep for the ATV or for your abilities. Practice on smaller hills before attempting larger hills.
- Always follow proper procedures for climbing hills. Check the terrain carefully before ascending a hill. Never climb hills with excessively slippery or loose surfaces. Shift your weight forward. Never open the throttle suddenly or make sudden gear changes. Never go over the top of a hill at high speed.
- Always follow proper procedures for going downhill and for braking on hills. Check the terrain carefully before you start down a hill. Shift your weight backward. Never go down a hill at high speed. Avoid going down a hill at an angle, which would cause the vehicle to lean sharply to one side. Travel straight down the hill when possible.
- Always follow proper procedures for crossing the side of a hill. Avoid hills with excessively slippery or loose surfaces. Shift your weight to the uphill side of the ATV. Never attempt to turn the ATV around on any hill until you ve mastered (on level ground) the turning technique outlined in this manual. Avoid crossing the side of a steep hill when possible.

SAFETY

Operator Safety

- Always use proper procedures if you stall or roll backwards while climbing a hill . To avoid stalling ,maintain a steady speed when climbing a hill. If you stall or roll backwards, follow the special procedure for braking described in this manual. Always dismount on the uphill side, or to either side if the ATV is pointed straight uphill. Turn the ATV around and remount following the procedure described in this manual.
- Always check for obstacles before operating in a new area. Never attempt to operate over large obstacles, such as rocks or fallen trees. Always follow proper procedures when operating over obstacles as described in this manual.
- Always be careful of skidding or sliding. On slippery surfaces like ice, travel slowly and use extra caution to reduce the chance of skidding or sliding out of control.
- Avoid operating the ATV through deep or fast-flowing water . If it s unavoidable, travel slowly , balance your weight carefully, avoid sudden movements, and maintain a slow and steady forward motion. Do not make sudden turns or stops, and do not make sudden throttle changes.
- Wet brakes may have reduced stopping ability. Test your brakes after leaving water. If necessary, apply them lightly several times to allow friction to dry out the pads.

SAFETY

Operator Safety

- Always check for obstacles or people behind the ATV before operating in reverse. When it is safe to proceed in reverse, move slowly and avoid turning at sharp angles.
- Always use the size and type of tires specified for your ATV, and always maintain proper tire pressure.
- Never modify an ATV through improper installation or use of accessories.
- Never exceed the stated load capacity for your ATV. Cargo must be properly distributed and securely attached. Reduce speed and follow the instructions in this manual for carrying cargo or towing. Allow a greater distance for braking.
- Always remove the ignition key when the vehicle is not in use to prevent unauthorized use or accidental starting.
- Child or pets shall not be carried on the brackets.
- Never touch running parts, such as wheels, drive shaft, etc.

FOR MORE INFORMATION ABOUT ATV SAFETY,
PLEASE CONTACT WITH YOUR DEALER.

SAFETY

Operator Safety

Equipment Modifications

We are concerned with the safety of our customers and for the general public. Therefore , we strongly recommend that consumers do not install on an ATV any equipment that may increase the speed or power of the vehicle, or make any other modifications to the vehicle for these purposes. Any modifications to the original equipment of the vehicle create a substantial safety hazard and increase the risk of body injury. The warranty on your ATV is terminated if any equipment has been added to the vehicle, or if any modifications have been made to the vehicle, that increase its speed or power.

NOTE:The addition of certain accessories, including (but not limited to) mowers, blades, tires, sprayers, or large racks, may change the handling characteristics of the vehicle. Use only approved accessories, and familiarize yourself with their function and effect on the vehicle.

SAFETY

Operator Safety

⚠ WARNING

POTENTIAL HAZARD

Operating this ATV without proper instruction.

WHAT CAN HAPPEN

The risk of an accident is greatly increased if the operator does not know how to operate the ATV properly in different situations and on different types of terrain.

HOW TO AVOID THE HAZARD

Beginning and inexperienced operators should complete the certified training course offered by dealer. Operators should regularly practice the skills learned in the course and the operating techniques described in the owner's manual.

For more information about the training course, contact an authorized ATV dealer.

⚠ WARNING

POTENTIAL HAZARD

Failure to follow the age recommendations for this ATV.

SAFETY

Operator Safety

WHAT CAN HAPPEN

Severe injury and/or death could occur if a child under the minimum age recommendation operates an ATV,

Even though a child may be within the recommendation age group for operating some ATVs, he/she may not have the skills, abilities, or judgment needed to operate an ATV safely and could be susceptible to accident or injury.

HOW TO AVOID THE HAZARD

No one under the age of 16 should operate this ATV.

SAFETY

Operator Safety

▲ WARNING

POTENTIAL HAZARD

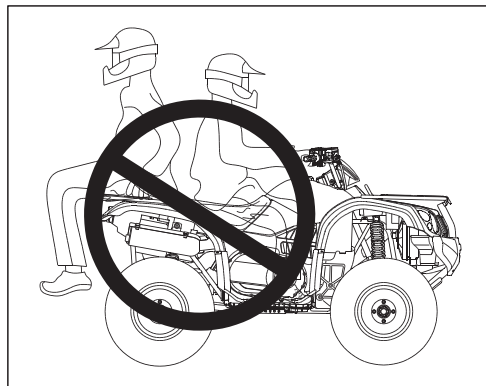
Carrying a passenger on the rear rack.

WHAT CAN HAPPEN

A passenger riding on the rear rack could be ejected from vehicle unexpectedly or may contact moving components, both of which can result in severe injury or death.

HOW TO AVOID THE HAZARD

Never allow passengers to ride on the rear rack.



SAFETY

Operator Safety

▲ WARNING

POTENTIAL HAZARD

Operating this ATV without wearing an approved helmet, eye protection and protective

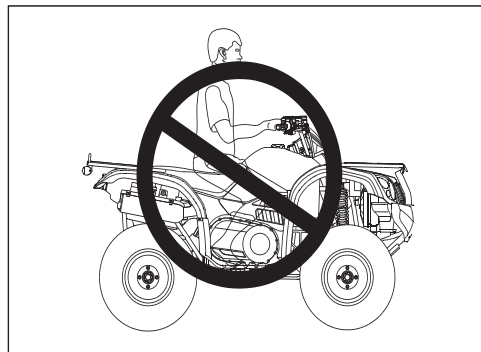
WHAT CAN HAPPEN

Operating an ATV without an approved helmet increases the risk of a severe head injury or death in the event of an accident.

Operating without eye protection could result in an accident and could increase the chance of a severe injury in the event of an accident.

HOW TO AVOID THE HAZARD

Always wear an approved helmet that fits properly.
Always wear eye protection (goggles or face shield), gloves, boots, long-sleeved shirt or jacket, and long pants.



SAFETY

Operator Safety

▲ WARNING

POTENTIAL HAZARD

Operating the ATV after consuming alcohol or drugs.

WHAT CAN HAPPEN

Consumption of alcohol and/or drugs could seriously affect operator judgment. Reaction time may be slower and operator balance and perception could be affected.

Consuming alcohol and/or drugs before or while operating an ATV could result in an accident causing severe injury or death.

HOW TO AVOID THE HAZARD

Never consume alcohol or drugs before or while operating an ATV.



Operator Safety

SAFETY

⚠ WARNING

POTENTIAL HAZARD

Operating the ATV at excessive speeds.

WHAT CAN HAPPEN

Excessive speed increases the operator's chance of losing control of the ATV, which can result in an accident

HOW TO AVOID THE HAZARD

Always operate the ATV at a speed that's proper for the terrain, visibility and operating conditions, and your experience

⚠ WARNING

POTENTIAL HAZARD

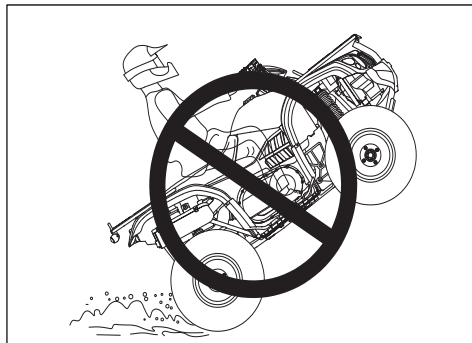
Attempting wheelies, jumps and other stunts.

WHAT CAN HAPPEN

Attempting stunts increases the chance of an accident, including an overturn,

HOW TO AVOID THE HAZARD

Never attempt wheelies, jumps or other stunts,
Avoid exhibition driving.



SAFETY

DRIVER SAFETY

▲ WARNING

POTENTIAL HAZARD

Operating this ATV/QUAD without proper inspection, ATV/QUAD improper maintain.
What will happen.

Improper maintain will increase accident occurrence and equipment damage probability.
How to avoid such dangerous.

Always do inspection on ATV before operate it to make sure that the vehicle in safe operating state, Always strictly follow the inspection and maintenance procedure described in your owner's manual.

▲ WARNING

Potential hazard

Both of your hands off the lever or both feet leave foot board.

What will happen

Either one hand or one foot leaves will weaken the control of the vehicle, or cause the operator lose his balance and catapult out.

If the operator does not hold his feet firmly enough, the feet may touch rear wheel, so cause damage and accident.

SAFETY

DRIVER SAFETY

How to avoid the hazard.

Always use both hands hold the levers and keep the feet on foot boards when driving the ATV.

▲ WARNING

Potential hazard

Careless driving on unfamiliar terrain.

What will happened

Unfamiliar terrain(hidden rocks,bumps,or holes that may cause lose balance even rollover.

How to avoid the hazard

Go slow and pay much more attention when driving on unfamiliar terrain,



SAFETY

DRIVER SAFETY

⚠ WARNING

Potential hazard. Careless driving on over rugged, slippery, soft terrain.

What will happen.

Driving on over rugged, slippery, soft terrain may cause lose traction or lose control of the vehicle, so cause accident or rollover.

How to avoid the hazard.

Please also drive carefully when on the bad terrain with technique.

⚠ WARNING

Potential hazard

Improper turns



SAFETY

Driver Safety

WHAT CAN HAPPEN

Improper turns could cause loss of control and lead to a collision or overturn.

HOW TO AVOID THE HAZARD

Always follow the turning methods described in the owner's manual.

Practise turning at a low speed before you trying to turning at a high speed.

Never try to sharp turn in high speed.

▲ WARNING

POTENTIAL HAZARD

Diving on too steep area.

WHAT CAN HAPPEN

The vehicle may overturn.

HOW TO AVOID THE HAZARD

Never driving ATV on too steep terrain or on area beyond ATV ability. Never driving ATV on hillside slope big than 25°C.

Practice driving on small hillside before try to drive on big slop hillside.

SAFETY

DRIVER SAFETY

⚠ WARNING

POTENTIAL HAZARD

Improper climbing method.

WHAT CAN HAPPEN

Improper climbing may cause loss of control or overturn.

HOW TO AVOID THE HAZARD

Always follow the proper climbing method instructed in the owner's manual.

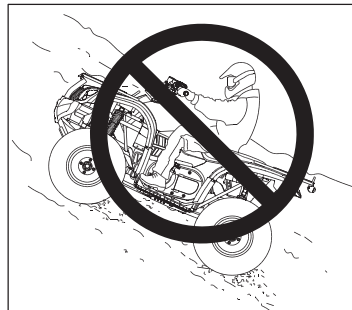
Observe the terrain condition before climbing.

Never driving ATV on area grade large than 25°.

Never climbing highland too slip or soft,transfer your weight forward when climbing.

Never open the throttle suddenly when climbing,or else the ATV will overturn backwards.

Never go over any top hill in high speed, there may be people,vehicle,steepslop or barrier on the other side of the hill.



SAFETY

Driver safety

⚠ WARNING

POTENTIAL HAZARD

Improper descent.

WHAT CAN HAPPEN

Improper descent may cause loss of control or overturn.

HOW TO AVOID THE HAZARD

Always follow the descent method instructed in the owner's manual.

NOTE:

You required special technique on down hill braking, please refers to Page69.

Observe the terrain carefully before down hill, also transfer your weight backwards.

Never down hill in with high speed.

Avoid down hill in slop or may cause the vehicle topple to one side, go down as straight as possible.



SAFETY

Driver Safety

⚠ WARNING

POTENTIAL HAZARD

Improper operation when crossing or turning in highland.

WHAT CAN HAPPEN

Improper operation when crossing or turning in highland may cause loss of control or overturn.

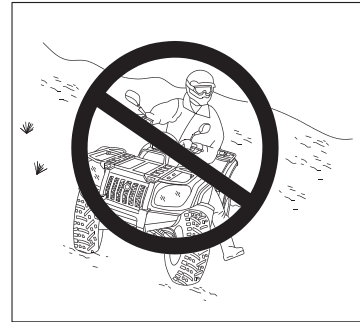
HOW TO AVOID THE HAZARD

Only if you mastered turning skill on flat land then you can try to turn on all terrain.

Please refer to Page 68. Pay much more attention when turning in highlands, avoid to cross steep. Notice for cross highlands.

Always follow the proper procedure described in the owner's manual.

Avoid to drive on too slip or soft, transfer your weight to ascent direction.



SAFETY

Driver safety

⚠ WARNING

POTENTIAL HAZARD

Flameout, backwards, improper down hill operation.

WHAT CAN HAPPEN

The vehicle body may roll over.

HOW TO AVOID THE HAZARD

Keep stable speed when climbing;

Keep your weight in uphill;

Brake with front brake(or brake lever), when the vehicle complete stop, apply the rear brake, then put into park gear.

When ATV back up on slop, you required to do:

Keep weight in uphill direction, NEVER apply engine power



SAFETY

DRIVER SAFETY

Do not apply rear brake when move backwards,apply front brake slowly(or brake lever).

Apply rear brake when the vehicle complete stop,then put into park gear.

Turning and downhill according to the owner's instruction,refers to Page65.Page69.

▲ WARNING

POTENTIAL HAZARD

Improper operation when span obstacles.

WHAT CAN HAPPEN

Driving across big obstacles may cause loss of control or overturn.

HOW TO AVOID THE HAZARD

Before driving on unfamiliar terrain, observe the road condition carefully.

Try to avoid to across big obstacles such as rock or fallen tree.If must,you required to operate

according to the owner's manual instruction carefully.

SAFETY

Driver Safety

▲ WARNING

POTENTIAL HAZARD

The vehicle side-slip or slide

WHAT CAN HAPPEN

Vehicle side-slip or slide may cause vehicle loss control,if the tyre once again obtain pull, the vehicle may overturn.

HOW TO AVOID THE HAZARD

When driving slowly on slippy surface such as ice,you must pay much attention to the vehicle side-slip or slide.

▲ WARNING

POTENTIAL HAZARD

ATV overload or transport/improper pull.

WHAT CAN HAPPEN

ATV overload or improper pull may change the vehicle operating performance, thus lead to loss of vehicle control and accident.

SAFETY

Driver Safety

HOW TO AVOID THE HAZARD

Cannot exceed the ATV nominal load

Placing and pack the goods properly; speed-down according to the owner's instruction when carry goods or pulling,

keep longer brake distance, refers to owner's manual Page 61.

⚠ WARNING

POTENTIAL HAZARD

Driving across deepwater or rapids.

WHAT CAN HAPPEN

The tyres may float and cause loss control of the vehicle, thus lead to accident.

HOW TO AVOID THE HAZARD

Avoid to operate ATV in deepwater or rapids, if must goes to deepwater exceed Max proposed depth, (refers to Page72),

you must to drive slowly and keep balance, avoid sudden operational motion and keep forward slowly and steady.

Donot make adrupt turn or stop, or change the throttle.

SAFETY

Driver Safety

Wet brake may degrade brake performance, inspect brake condition when out of water, brake lightly for several times to dry the brake pads.

⚠ WARNING

POTENTIAL HAZARD

Improper vehicle reverse.

WHAT CAN HAPPEN

ATV may collide with obstacle or person and cause serious accident.

HOW TO AVOID THE HAZARD

Check if there is any person when during reversing.

Reverse slowly after look over.

⚠ WARNING

POTENTIAL HAZARD

Using off-gauge tyre, under inflation tyre, uneven pressure between tyres on ATV.

WHAT CAN HAPPEN

If using off-gauge tyre, under inflation tyre, uneven pressure between tyres on ATV can cause loss control of the vehicle.

Or accident.

SAFETY

Driver Safety

HOW TO AVOID THE HAZARD

Always use the specified types and size of ATV tyres described on the owner's manual.

Always maintain right tyre pressure.

▲ WARNING

POTENCIAL HAZARD

Drive improper remodel ATV

WHAT CAN HAPPEN

Install unfit parts or do improper modification on the vehicle may change vehicle operating performance and lead to accident.

HOW TO AVOID THE HAZARD

Never install unfit parts or do improper modification on the vehicle, all added fittings or spare parts must be original parts or the same size parts designed for this ATV and installing according to approved instructions.

Please inquiry the dealers for more information.

SAFETY

Operator Safety

▲ WARNING

POTENTIAL HAZARD

Operating on frozen bodies of water.

WHAT CAN HAPPEN

Severe injury or death can result if the ATV/Quadricycle and /or the operator fall through the ice.

HOW TO AVOID THE HAZARD

▲ WARNING

Leaving the keys in the ignition can lead to unauthorized use of the vehicle resulting in serious injury or death. Always remove the ignition key when the vehicle is not in use.

▲ WARNING

After any overturn or accident, have a qualified service dealer inspect the entire vehicle for possible damage, including (but not limited to) brakes, throttle and steering system.

SAFETY

Operator Safety

⚠ WARNING

Safe operation of this rider-active vehicle requires good judgement and physical skills. Persons with cognitive or physical disabilities who operate this vehicle have an increased risk of overturn and loss of control, which could result in severe injury or death.

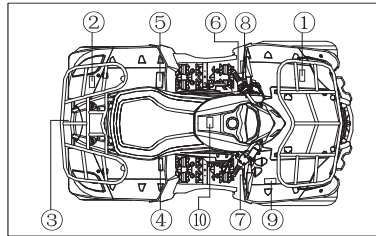
⚠ WARNING

Exhaust system components are very hot during and after use of the vehicle. Hot components can cause serious burns and fire. Do not touch hot exhaust system components. Always keep combustible materials away from the exhaust system. take care when traveling through tall grass, especially dry grass.

SAFETY

Safety decals and locations

Warning decals have been placed on the ATV/Quadricycle for your protection. Read and follow the instructions on each decal carefully. If a decal becomes illegible or comes off, contact your dealer to purchase a replacement.



SAFETY

Safety decals and locations

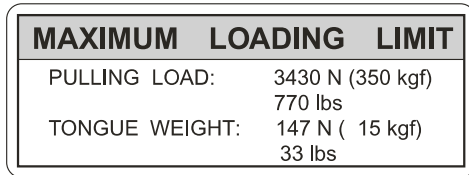
①



②



③



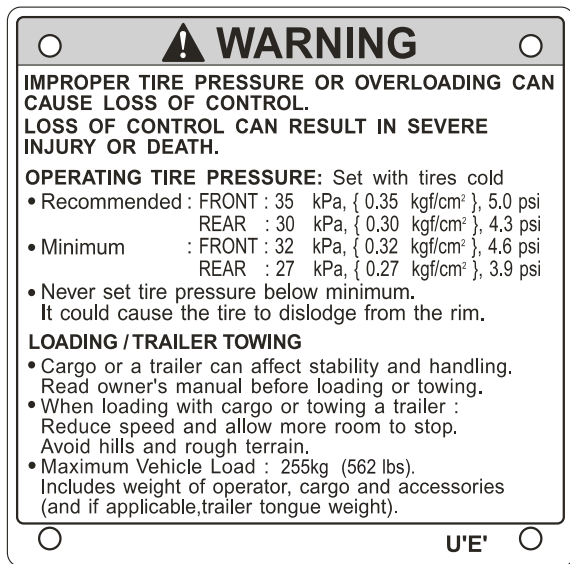
④



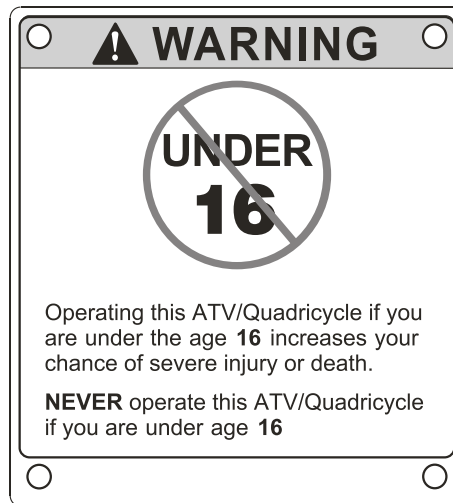
SAFETY

Safety decals and locations

⑤



⑥




SAFETY

Safety decals and locations


7

⚠ WARNING


Improper ATV use can result in **SEVERE INJURY** or **DEATH**.



ALWAYS USE AN APPROVED HELMET AND PROTECTIVE GEAR



NEVER USE ON PUBLIC ROADS



NEVER USE WITH DRUGS OR ALCOHOL

NEVER operate :

- without proper training or instruction.
- at speeds too fast for your skills or the conditions.
- on public roads-a collision can occur with another vehicle

ALWAYS :

- use proper riding techniques to avoid vehicle overturns on hills and rough terrain and in turns.
- avoid paved surfaces-pavement may seriously affect handling and control.

LOCATE AND READ OWNER'S MANUAL.
FOLLOW ALL INSTRUCTIONS AND WARNINGS.

E"

8

DRIVE SELECT LEVER

- Read owner's manual carefully before operating.
- ATV/Quadricycle **MUST** be stopped before shifting select lever.
- Shifting into or from reverse or park is impossible without applying rear brake

9

⚠ WARNING

Turning the ATV/Quadricycle in 4WD-LOCK ("DIFF.LOCK") takes more effort

Operate at a slow speed and allow extra time and distance for maneuvers to avoid loss of control

10

⚠ WARNING



**Never carry more than one passenger!
Never drive with a passenger unless passenger seat is securely in place!
Passenger must hold firmly the handgrips during riding!**

SAFETY

Safe riding gear

Always wear clothing suited to the type of riding. ATV/Quadricycle riding requires special protective clothing for comfort and to reduce the chance of injury.

1. Helmet

Your helmet is the most important piece of protective gear for safe riding. An approved helmet can prevent a severe head injury.

2. Eye protection

Do not depend on sunglasses for proper eye protection for your eyes. They should be kept clean and be shatterproof design.

3. Gloves

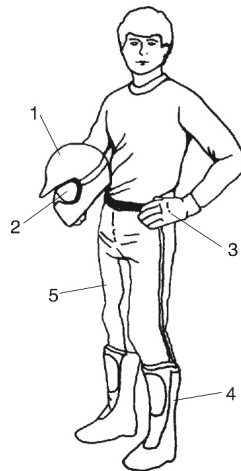
Off-road style gloves with knuckle pads are the best for comfort and protection.

4. Boots

The best footwear is a pair of strong over-the-calf with heels, like moto-cross boots.

5. Clothing

Always wear long sleeves and long pants to protect arms and legs. Riding pants with kneepads and a jersey with shoulder pads provide the best protection.



FEATURES AND CONTROLS

Electrical Switches

▲ WARNING

Activate override switch while throttle is open can cause loss of control, resulting in severe injury or death. Never press override switch while throttle is open.

1. Override Switch

Top speed is limited when in 4WD-LOCK condition. If more engine power required when riding, push and hold this switch to override the 4WD-LOCK speed limit. (Refer to page45 for detailed explanation about the override switch)

Speed limit restores when the switch released. The override indicator will be light while switch is pushed.

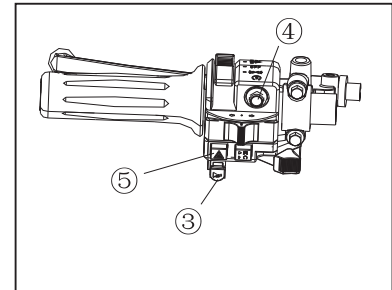
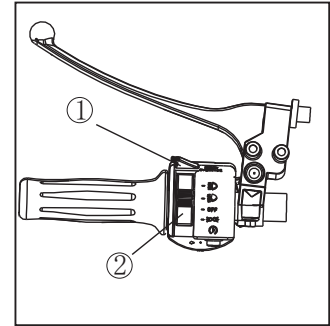
2. Headlight Switch

Headlight switch consists of four positions:

1. “☰☉”
2. “☸☉”
3. “OFF”
4. “☰☉☰”

When the switch in “1” position, high beam is on.

When the switch in “2” position, low beam is on.



FEATURES AND CONTROLS

Electrical Switches

When the switch is at “3” position, all lights are off.

When the switch is at “4” position, the front/rear position light and instrument light are on.

3. Horn Switch Button

Press the button, the horn will sound.

4. Start switch

Press the button, start motor runs.

5. Hazard Warning Indicator Switch “”

Press the button: Left/right indicator is on.
Left/right turning light is on.

CAUTION:

Do not use the headlights for thirty minutes. The battery may discharge and the starter motor will not operate properly. If this should happen, remove the battery and recharge it.

FEATURES AND CONTROLS

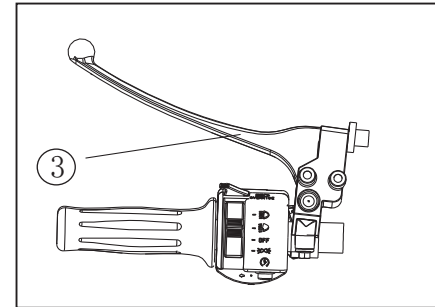
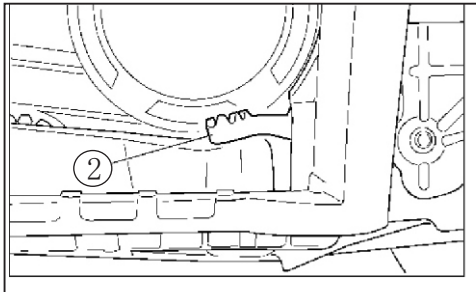
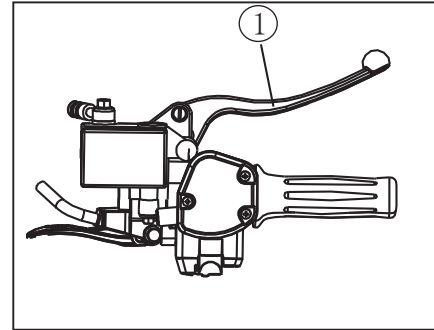
Brake

Front brake lever

Front brake lever ① is located on the right handlebar. Pull it toward the handlebar to apply the front brake.

Combined brake

Brake pedal ② is located on the right of the engine, combined brake lever ③ is located on the left handlebar. Step on the pedal or pull the lever toward the handlebar to apply the rear linkage brake.



FEATURES AND CONTROLS

Brake

⚠ WARNING

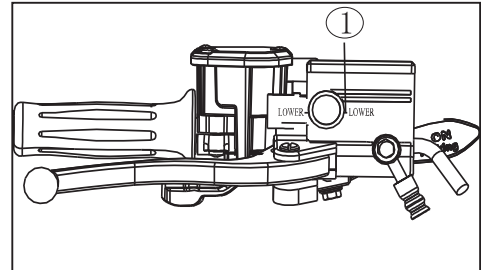
Always test brake lever and master cylinder fluid level before riding. When squeezed, the lever should feel firm. Any sponginess would indicate a possible fluid leak or low master cylinder fluid level, which must be corrected before riding. Contact your dealer for proper diagnosis and repairs.

Brake Fluid

Check the brake fluid level in front brake oil cup and linked brake main pump oil cup before using the ATV/Quadricycle. The front brake oil cup is located in the right handlebar. The linked brake main pump oil cup is on the top of brake pedal.

Check brake fluid level: brake fluid level should be higher than

LOWER ①



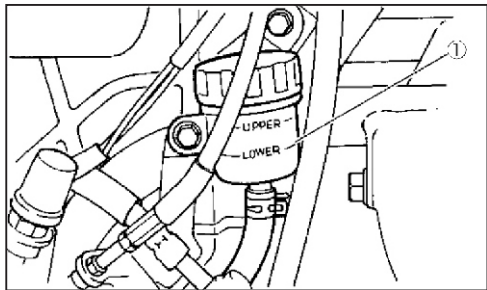
FEASTURES AND CONTROLS

Brake

▲ WARNING

An over-full master cylinder may cause brake drag or brake lock-up, which could result in serious injury or death. Maintain brake fluid at the recommended level. Do not overfill.

NOTE: When checking the fluid level, the ATV/Quadricycle must be on level ground with the handlebars straight. If the fluid level is low, add DOT3/DOT4 brake fluid. Fluid level can not be lower than lower range of "LOWER" ①



▲ WARNING

Never store or use rest brake fluid in the bottle; Brake fluid is hygroscopic, can rapidly absorb moisture from the air. The moisture causes the drop of boiling temperature of the brake fluid. After opening a bottle of brake fluid, always discard any unused portion.

FEATURES AND CONTROLS

Brake

Parking Brake

When parking, stop the engine and shift the gear selector Lever① into the park position.

▲ WARNING

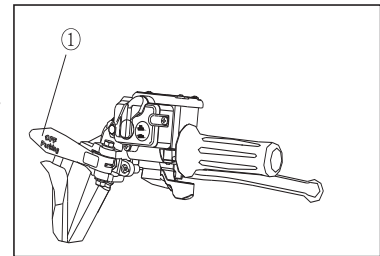
Operation the ATV/Quadricycle while the parking brake is engaged could result in an accident and serious injury or death.

Always check to be sure the parking brake is disengaged. Before operatiog.

Important Safeguards

- The parking brake may relax if left for a long period of time. Always block the wheels to prevent rolling.

Never depend on the parking brake alone if the ATV/Quadricycle is parked on a hill. Always block the wheels on the downhill side of the ATV/Quadricycle to prevent rolling.



FEATURES AND CONTROLS

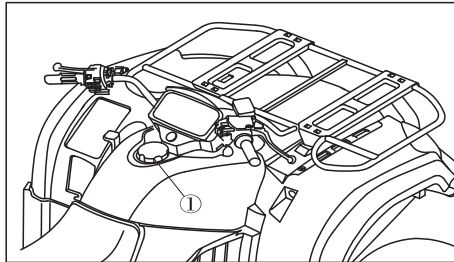
Efisystem

⚠ WARNING

- Disassembly of the EFI system is forbidden;
- Ignition switch must be off while connector is on or off in order not to damage electric elements;
- Do not dismantle battery while engine is working;
- Engine starting is not allowed in case of no fuel or fuel below warning line to protect oil pump damaged;
- Idling adjustment is handled by EFI system only and does not need manual adjustment;

Fuel tank

Fuel tank filter cap ① is located below the handlebar. Remove the fuel tank turning it counterclockwise. Install the fuel tank filler cap turning it clockwise.



FEATURES AND CONTROLS

Fuel safety

▲ WARNING

Fuel is highly flammable and explosive under certain circumstances.

- Always handling fuel in a extremely attentive and careful state on mind;
- Always refuel while engine stops in a well ventilated situation;
- Never fill gass while plastic fuel tank is on the rack. Static electricity between rack and tank could cause a spark;
- Refuel after engine stops in a well ventilated situation and do not smoke or create a spark in gas station or storage place.
- Do not overfill the gas;
- Wash with soap or change clothes if gas is sprayed on skin or clothes. Do not start engine in a closed situation. Engine exhaust is posionous and could lead to human unconsciousness;
- Pressure relief is a must before assembly because EFI system enjoys a high gas pressure; Pressure relief procedure: Disassemble oil pump relay and then start the engine until engine kill.

▲ WARNING

Engine exhaust gas may contain chemicals causing cancer or harmful to human health. Always operate the vehicile in a well ventilated outdoors.

FEATURES AND CONTROLS

Gearshift

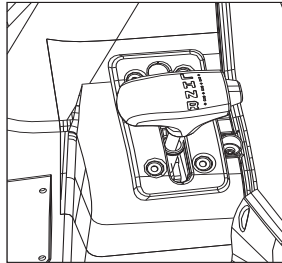
Gearshift unit is on left side of the vehicle.

L: Low gear

H: High gear

N: Neutral

R: Reverse gear



In order to shift into reverse gear, step onto brake pedal first. It the same to shift out of reverse gear;

CAUTION:

When engine speed is above idle speed or change gears while vehicle is moving, engine could be damaged. Stop vehicle while changing gears and engine in idel speed. Then change the gears;

Step onto brake pedal before changing into reverse gear or parking;

Parking gear should be applied while nobody is in charge of the vehicle;

In case of any problems regarding the gearshifting, consult your dealer if necessary.

FEATURES AND CONTROLS

Belt life-span

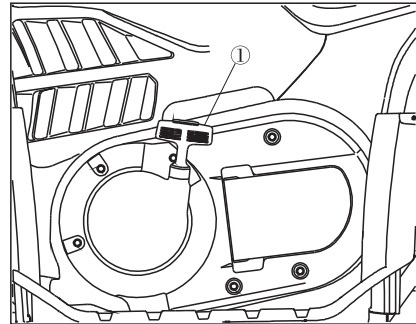
Changing into low gear while pulling heavy stuff to prolong belt life-span;

If it is necessary to pull vehicles, change into neutral gear for better flexibility to protect belt from being damaged;

Recoil starter

If power is not enough to start the engine, please use ① recoil starter. Vehicle is still operable while it is under overhaul. ① is on left side of vehicle. Engine is equipped with pressure reliefer. It is able to renew the pressure when engine turning speed is enough to start.

1. Park vehicle on flat ground and change into P gear;
2. Hold tight of the handle and pull gently until starter mechanism;
3. Pull the rope suddenly and start the engine;



FEATURES AND CONTROLS

Recoil starter

CAUTION

Recoil starter could be damaged if rope is pulled too long, possibly lead to starter fails;
If the rope is not in correct position, water might penetrate and damage components;
Make sure the handle is within housing, especially while riding in wet situation:

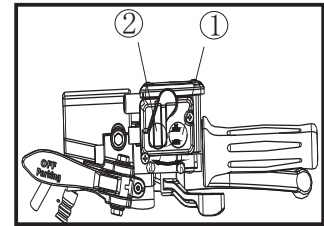
All-Wheel Driven (AWD) System

Lock switch based on 4 wheel drive or differential choice;

The vehicle is equipped with “2WD” / “4WD” ① and differential “LOCK” / “4WD” ②;

Change into proper driven gear based on circumstances;

- Two-wheel drive (2WD) : driven power only to rear wheels;
- Four-wheel drive (4WD) : driven power to rear and front wheels;
- Four-wheel drive and differential lock (4WD-LOCK) : Under lock situation, four-wheel driven at the same time. But unlike 4WD, direction stays unchanged.



FEATURES AND CONTROLS



All-wheel drive (AWD) System

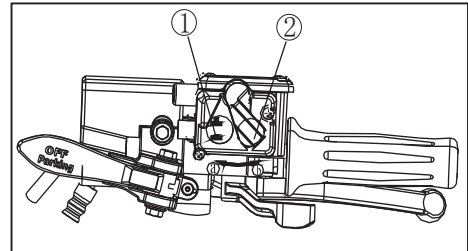
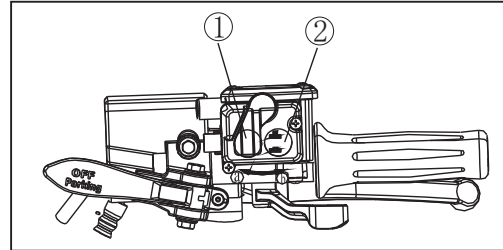
Choose 4WD based on actual need.

“2WD/4WD” switch



Stop the vehicle to change 2WD to 4WD if necessary. And then change switch to “4WD” .

When in 4WD, on dashboard will show “”

Stop the vehicle and make sure the handle bar  is in position  in 4WD position.



4WD differential lock switch

In order to lock 4WD, make sure switch is in 4WD based on actual need, stop ATV and pull  to “” position

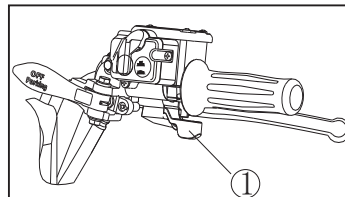
and then change switch to “lock” position. While in “lock” position, the light shows “DIFF. LOCK” and will shine at the same time with the one on the dashboard. In order to switch off the lock, stop ATV and switch on to 4WD.

FEATURES AND CONTROLS

All-wheel drive (AWD) System

NOTE:

- When switch is in “lock” position, dashboard light shows continuously;
- In case light shines, 4WD is not locked and ATV should be driven in low speed. High speed drive will probably cause injury or even death;
- When ATV is in “4WD-LOCK” position, maximum speed should be 35km/h;
- In order to acquire full power, press the assist switch and disable the speed limiter of “4WD-LOCK” switch throttle tie-rod①



When engine is working, pulling tie-rod will improve engine speed to adjust ATV speed. ATV will decrease the speed because of the spring-equipped throttle. And engine will be in idle speed when the throttle is released.

Check the throttle is running smoothly before starting the engine. Make sure engine is in idle speed after releasing the throttle tie-rod.

FEATURES AND CONTROLS

All-wheel drive (AWD) System

CAUTION

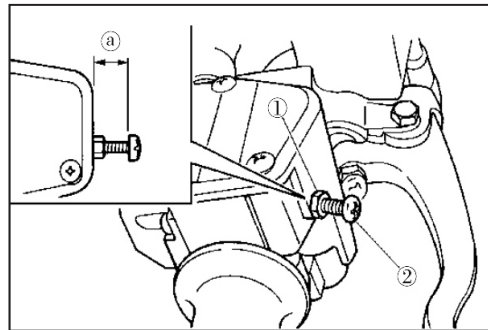
Check throttle tie-rod before starting the engine. In case of problems, check and solve the reasons before riding the ATV. Contact local dealer if necessary.

Speed limiter

Speed limiter can prevent throttle full open even if throttle is in highest position: Turn bolt ② gain highest power to decrease max speed of the ATV.

CAUTION

Never adjust the bolt longer than 12mm, make sure throttle clearance is between 3-5mm.



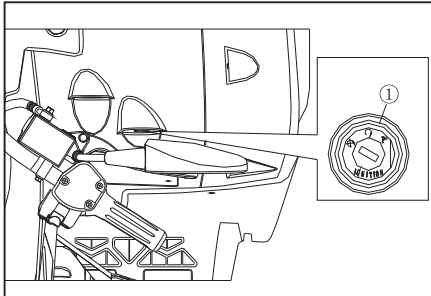
FEATURES AND CONTROLS

Main switch

Functions:

ON: Start the engine and key cannot be taken out in this position;

OFF: Close all electric circuits and key can be taken out in this position.



FEATURES AND CONTROLS

Indicator light and caution light

4WD indicator lights①



Switch “(2WD)/(4WD)” onto position “(4WD)”, the indicator light shows;

Switch “LOCK-” – “(4WD)” onto “LOCK-(4WD)”, the indicator light shows.

NOTE:

Due to the synchronizing mechanism in front gear box, 4WD indicator light will show Only after ATV starts moving;

Low gear indicator “L” ②

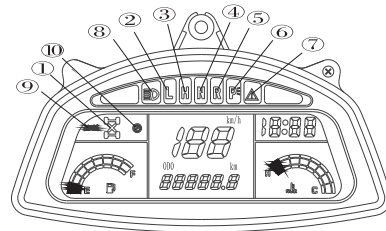
In low gear, the indicator “L” shows;

High gear “H” ③

When in high gear, indicator “H” shows and

Neutral “N” ④

In neutral gear, the indicator shows “N” .



FEATURES AND CONTROLS

Indicators and caution lights

Parking gear indicator “R” ⑤

When gear in position “R” , the indicator shows;

Parking indicator “P” ⑥

When gear is in “P” position, the indicator shows;

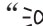
Assistor light indicator ⑦

Switch on the assistor, the indicator shows;

High beam indicator ⑧

Swith on front light “ ” , the indicator shows;

Position ⑨

Press position light “ ” , the indicator shows;

Trouble ⑩ in case of trouble, see Page 134.

NOTE:

In case of indicator or speedometer does not show the speed while driving, contact local dealer if necessary;

FEATURES AND CONTROLS

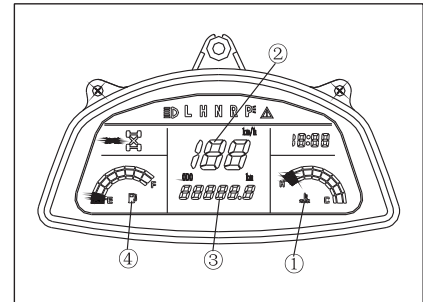
Dashboard

Coolant temperature indicator

When the temperature indicator is in the white area of side C, it means that the temperature is normal. The red area of the side H indicates temperature is high. If so please stop the engine until temperature is down. In case temperature frequently goes high, check coolant capacity or contact the dealer.

CAUTION:

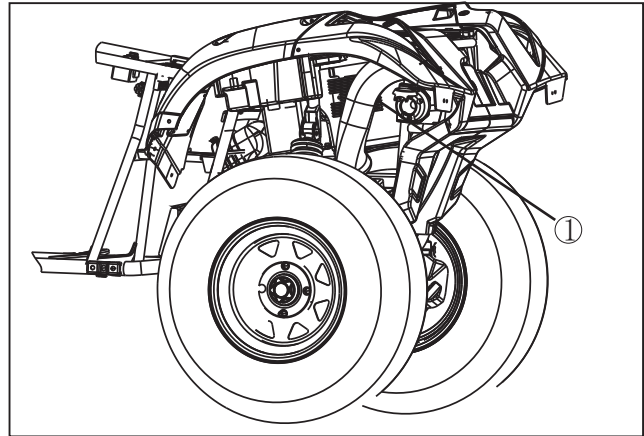
- Engine may overheat if ATV is overloaded. Reduce Weight to specification in case of this.
 - After restarting, make sure the temperature in the White area of side C. Continuous use while temperature Indicator in the red area of H will damage engine
- Speedometer: shows speed; Odometer: show total distance traveled;
- Fuel sensor: remaining fuel; “F” total amount; Total capacity is 18L; Refuel when indicator shows on Red area. Red means remaining fuel is only 4.0L



FEATURES AND CONTROLS

Puller electric outlet, position, power
Output :12V ①

This spare electric outlet provides power for rearlights, rear turning lights etc of the the puller. (CF625-B/CF625-C)



Driving

Break-In Period

The break-in period for your new ATV/Quadricycle is defined as first twenty hours of operation, or the time it takes to use the first four full tanks of petrol. No single action on your part is as important as following the procedures for a proper break-in. Careful treatment of a new engine will result in more efficient performance and longer life for the engine. Perform the following procedures carefully.

CAUTION

Excessive heat build-up during the first three hours of operation will damage close-fitted engine parts. Do not operate at full throttle or high speeds for extended periods during the first three hours of use.

Use of any oils other than those recommended may cause serious engine damage. We recommend the use of 4 Synthetic Oil for your 4-cycle engine.

1. Fill the fuel tank with petrol.
2. Check the oil level on the dipstick.
Add 4 Synthetic Oil if necessary to maintain the oil level between the minimum and maximum level marks.
3. Drive slowly at first. Select an open area that allows room to familiarize yourself with vehicle operation and handling.
4. Do not change throttle position under idle speed.
5. Perform regular checks on fluid levels, controls and areas outlined on the daily pre-ride inspection checklist.
See page 55.
6. Less load ,more better.
7. check oil and filter by Each 25 hours or each month during break-in period.

Driving

Pre-Ride Inspection

⚠ WARNING

If a proper inspection is not done before each use ,severe injury or death could result.always inspect the vehicle before each use to ensure it's in proper operating condion.

Pre-Ride Checklist		
Item	Remarks	See page
Brake system/lever travel	Ensure proper operation	37, 105
Brake fluid	Ensure proper level	38
Front suspension	inspect,lubricate if necessary	116
Rear suspension	inspect,lubricate if necessary	116
Steering	Ensure free operation	–
Tires	Inspect condition and pressure	32
Wheels/fasteners	Inspect,ensure fastener tightness	110

Driving

Pre-Ride Inspection

Frame nuts,bolts,fasteners	Inspect,ensure tightness	-
Fuel and oil	Ensure proper level	86
Coolant level	Ensure proper level	91
Coolant hoses	Inspect for leaking	-
Throttle	Ensure proper operation	47
Indicator lights/switches	Ensure proper operation	35, 50
Air filter	Inspect,clean	97
Air box sediment tube	Drain deposits whenever visible	-
Headlamp	Check operation	113
brake light/tail lamp	Check operation	115
Riding accessories	Wear helmet,goggles,protective clothing	34

Driving

Starting the Engine

Starting a Cold Engine

▲ WARNING

Engine exhaust contains poisonous carbon monoxide and can cause loss of consciousness resulting in severe injury or death. Never run an engine in an enclosed area.

CAUTION

Operating the vehicle immediately after starting could cause engine damage. Allow the engine to warm up for several minutes before operating the vehicle.

1. Apply the rear brake pedal.
2. Turn the main switch to “ON” .
3. Shift the gear selector into the neutral or park position.

NOTE

- When the gear selector is in the neutral or park position, if either indicator light does not come on, ask your dealer to inspect its electric circuit.
- The engine can be started in any gear if the rear brake pedal is applied. However, it is recommended to shift into neutral or park before starting the engine.

Driving

Starting engine

4.release throttle completely and puse the srart switch.

NOTE:

- If the engine fails to start, release the start switch,then push the start switch again.pause a few seconds before the next attempt.Each cranking should be as short as possible to preserve battery energy.Do not crank the engine more than 10 seconds on each attempt.
- If the battery is discharged,pull the recoil starter to start the engine.

Driving

Starting the Engine

CAUTION

See the “Break-In Period” section prior to operating the engine for the first time.

Starting a warm engine

To start a warm engine, The throttle should be opened slightly.

Gear selector operation and reverse driving

CAUTION

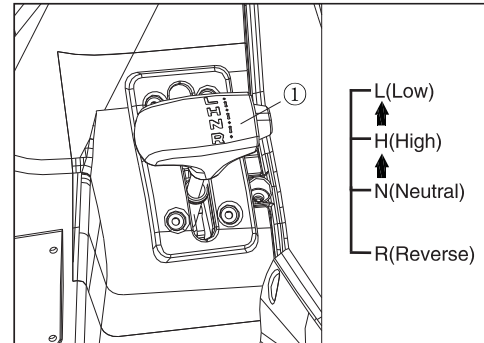
Before shifting, you must stop the machine and return the throttle lever to the closed position. Otherwise, the transmission may be damaged.

Shifting: Neutral to High and High to Low

1. Bring the machine to a complete stop and return the throttle lever to the closed position.
2. Apply the brakes, then shift by moving the gear selector along the shift guide.

NOTE

Make sure that the gear selector is completely shifted into position.



Driving

Starting the Engine

3. Open the throttle lever gradually.

Shifting: Neutral to Reverse

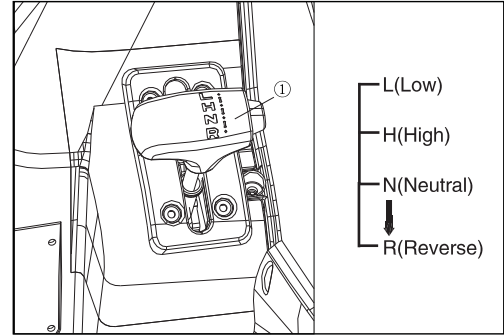
NOTE

The gear selector cannot be shifted into reverse (R) without applying the rear brake.

1. Bring the machine to a complete stop and return the throttle lever to the closed position.
2. Apply the rear brake pedal.
3. Shift from neutral to reverse or from reverse to park and.

NOTE

- When in reverse, the reverse indicator light should be on. If the light does not come on, ask your dealer to inspect the reverse indicator light electrical circuit.
 - Due to the synchronizing mechanism in the engine, the light may not come on until the ATV/Quadricycle starts moving.
4. Check behind for people or obstacles, then release the rear brake pedal.
 5. Open the throttle lever gradually and continue to watch rear while moving backward.



Driving

⚠ WARNING

When you shift into reverse, make sure there are no obstacles or people behind you.

When it is safe to proceed, go slowly.

Hauling Cargo

⚠ WARNING

Carrying a load on only the front rack or the rear rack may cause an imbalanced condition and increase the possibility of vehicle overturn.

- do not exceed the stated load capacity.
- speed-down and keeping longer distance for braking.
- speed-down and less loading when driving in rough terrain or hill.

● load distribution.

rear rack should be as far forward as possible, as low as possible;

Carrying a higher load can increase the barycenter and reduce the stability that can not. It's better to load less in this condition. Make the load stable that can not ensure if the barycenter removal. Be particularly careful when handling.

- fix all loads before driving.

Unfixed loads may move when driving and cause an unstable condition and make the vehicle lose control.

- be particularly careful

In transport, if longer than the rack, can affect the vehicle's stability and flexibility, even cause vehicle turn over.

Driving

Hauling Cargo

- Carrying a load on only the front rack or the rear rack may cause an imbalanced condition and increases the possibility of vehicle overturn. Balance loads proportionally between the front rack and the rear rack, but do not exceed the stated load capacity.
- Use extreme caution when applying brakes with a loaded vehicle. Avoid terrain or situations that may require backing down- hill.
- Always attach the tow load to the hitch point.
- The vehicle should never exceed 10 mph (16 km/h) while towing a load on a level surface. Vehicle speed should never exceed 5mph (8 km/h) when towing loads in rough terrain, while cornering, or while ascending or descending a hill.
- Do not obstruct the headlight when loading the front rack.

Driving

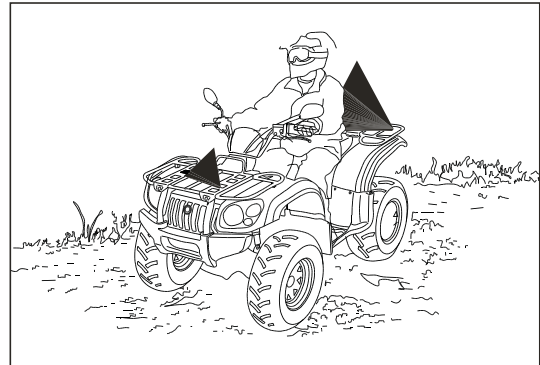
Hauling Cargo

Load Distribution

Your ATV/Quadricycle has been designed to carry or tow a certain amount of load. Always read and understand the load distribution warnings listed on the warning labels, and never exceed the specified weights.

Cargo weight should be mounted as low as possible. When operating over rough or hilly terrain, reduce speed and cargo to maintain stable driving conditions.

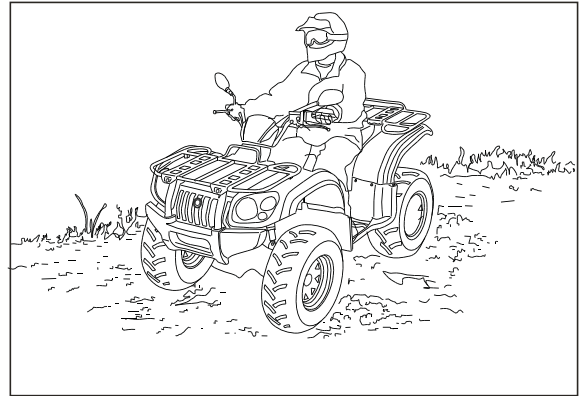
1. Always load the cargo as far forward as possible.
2. Always operate the vehicle with extreme caution whenever hauling or towing loads. Balance, handling, and control may be affected.
3. Slow down.



Driving

Driving Procedures

1. Sit upright with both feet on the footrests and both hands on the handlebars.
2. Start the engine and allow it to warm up, apply the brakes, then shift the transmission into gear.
3. Check your surroundings and determine your path of travel.
4. Release the brakes.
5. Slowly depress the throttle with your right thumb and begin driving. Vehicle speed is controlled by the amount of throttle opening.



Driving

Driving Safely

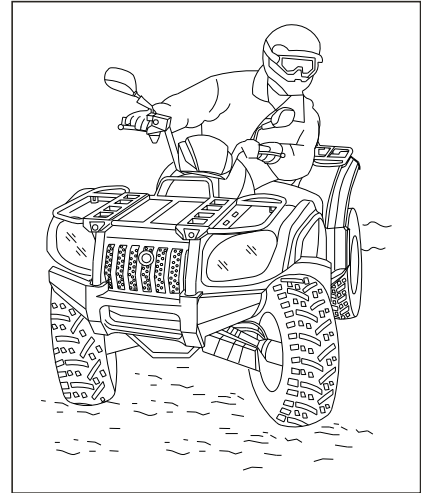
⚠ WARNING

To make a turn, steer in the direction of the turn, leaning your upper body to the inside of the turn while supporting your weight on the outer footrest. This technique alters the balance of traction between the wheels, allowing the turn to be made smoothly. The same leaning technique should be used for turning in reverse.

NOTE:

Practice making turns at slow speeds before attempting to turn at faster speeds.

Turning at sharp angles or at excessive speeds can result in vehicle overturn and lead to serious injury. Avoid turning at sharp angles. Never make turns at high speeds.



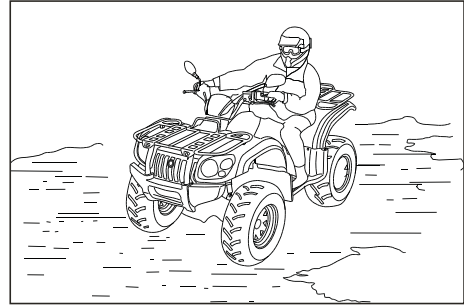
Driving

Driving Safely

Driving on Slippery Surfaces

Whenever riding on slippery surfaces such as wet trails or loose gravel, or during freezing weather, follow these precautions:

1. Slow down when entering slippery areas.
2. Maintain a high level of alertness, reading the trail and avoiding quick, sharp turns which can cause skids.
3. Correct a skid by turning the handlebars in the direction of the skid and shifting your body weight forward.
4. Driving with AWD engaged can assist in controlling the vehicle in slippery areas.



CAUTION

Severe damage to drive train may occur if the AWD is engaged while the wheels are spinning.

Always engage AWD when the wheels have traction or are at rest.

⚠ WARNING

Failure to exercise care when operating on slippery surfaces can result in loss of tire traction and cause loss of control, accident, and serious injury or death.

Never apply the brakes during a skid.

Do not operate on excessively slippery surfaces. Always reduce speed and use additional caution.

OPERATION

Driving Safely

Driving Uphill

Whenever traveling uphill, follow these precautions:

1. Always travel straight uphill.
2. Avoid steep hills (25° maximum).
3. Keep both feet on the footrests.
4. Shift your weight forward.
5. Proceed at a steady rate of speed and throttle opening.
6. Remain alert and be prepared to take emergency action. This may include quick dismounting of the vehicle.

If all forward speed is lost:

Keep your weight uphill.

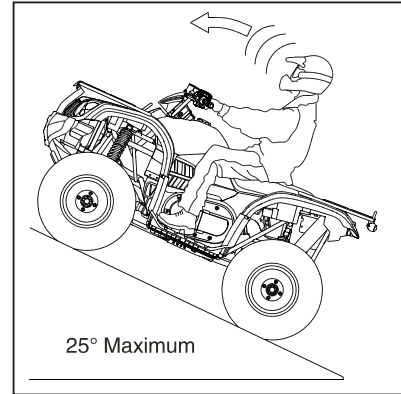
Apply the front brake. When fully stopped, apply rear brake as well, then shift gear selector into park position.

If the ATV/Quadricycle begins rolling backwards:

Keep your weight uphill. Never apply engine power. Never apply the rear brake while rolling backwards.

Apply the front brake. When fully stopped, apply the rear brake as well, and then shift gear selector into park position.

Dismount on uphill side, or to either side if ATV/Quadricycle is pointed straight uphill. Turn the ATV/Quadricycle around and remount, following the procedure described on page 73.



OPERATION

Driving safely

Driving Uphill

⚠ WARNING

Braking and handling are greatly affected when operating in hilly terrain. Improper procedure could cause loss of control or overturn and result in serious injury or death.

Avoid climbing steep hills (25° maximum)

Use extreme caution when operating on hills, and follow proper operating procedures outlined in the owner's manual.

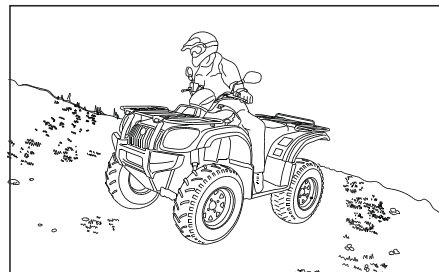
Sidehilling

⚠ WARNING

Improperly crossing hills or turning on hills can result in loss of control or vehicle overturn, resulting in severe injury or death. Avoid crossing the side of a hill when possible. Follow proper procedures as outlined in the owner's manual.

Sidehilling can be a dangerous type of driving and should be avoided if at all possible. If you do enter into a situation where sidehilling is necessary, follow these precautions:

1. slow down



OPERATION

Driving Safely

Sidehilling

2. Lean into the hill, transferring your upper body weight toward the hill while keeping your feet on the footrests.
3. Steer slightly into the hill to maintain vehicle directions.

NOTE: If the vehicle begins to tip, quickly turn the front wheel downhill, if possible, or dismount on the uphill side immediately!

Driving Downhill

Whenever descending a hill, follow these precautions:

1. Proceed directly downhill.
2. Shift your weight to the rear of the vehicle.
3. Slow down.
4. Apply the brakes slightly to aid in slowing.

Familiarize yourself with operation of the auxiliary rear brake lever.

⚠ WARNING

Excessive speed can cause loss of control and lead to serious injury or death. Always operate slowly when traveling downhill.



OPERATION

Driving Safely

Turning Around on a Hill

⚠ WARNING

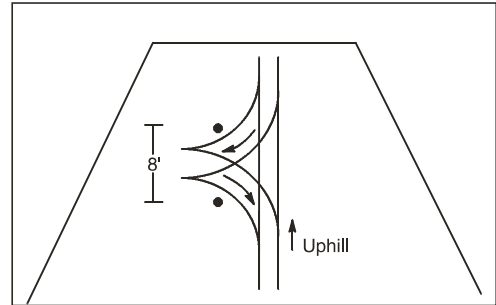
Improper hill climbing procedures could cause loss of control or overturn and result in serious injury or death.

Avoid climbing steep hills (25° maximum).

Use extreme caution when operating on hills, and follow proper operating procedures outlined in the owner's manual.

If the vehicle stalls while climbing a hill, never back it down the hill! One maneuver that can be used when it's necessary to turn around while climbing a hill is the K-turn:

1. Stop and shift the gear selector lever to the parking position while keeping body weight uphill.
2. Shut off the engine.
3. Dismount on the uphill side of the vehicle, or on the left if the vehicle is pointing straight uphill.
4. Staying uphill of the vehicle, turn the handlebars full left.
5. While holding the brake lever, shift the gear selector lever to the low gear position and slowly allow the vehicle to roll around to your right until it's pointing across the hill or slightly downward.
6. Shift the gear selector lever to the parking position and remount the vehicle from the uphill side, keeping body weight uphill.



OPERATION

Driving Safely

Turning Around on a Hill

1. Restart the engine, while holding the brake lever, shift the gear selector lever to low gear position.
2. Release the brake and proceed slowly, controlling speed with the brake, until the vehicle is on more level ground.

Driving Through Water

Your ATV/Quadricycle can operate through water with a maximum recommended depth equal to the bottom of the footrests . Follow these procedures when operating through water:

1. Determine water depths and current before crossing.
2. Choose a crossing where both banks have gradual inclines.
3. Proceed slowly, avoiding rocks and obstacles if possible.
4. After crossing, dry the brakes by applying light pressure to the lever until braking action is normal.



OPERATION

Driving Safely

Driving Through Water

NOTE: Avoid operating the vehicle through deep or fast-flowing water. If you cannot avoid water that exceeds the recommended maximum depth, go slowly, balance your weight carefully, avoid sudden movements, and maintain a slow and steady forward motion. Do not make sudden turns or stops, and do not make sudden throttle changes.

After running the vehicle in water, it's critical to have it serviced as outlined in the maintenance chart. See page 117. The following areas need special attention: engine oil, transmission oil, front and rear gear cases and all grease fittings.

NOTE: If water has been ingested into the CVT, follow the procedure on page 100 for drying out the CVT.

If your vehicle becomes immersed, and it's impossible to take it to your dealer before starting it, follow the steps described on page 117. Have the vehicle serviced by your dealer promptly.

⚠ WARNING

Major engine damage can result if the vehicle is not thoroughly inspected after operation in water. Perform the services outlined in the maintenance chart.

If your vehicle becomes immersed or is operated in water that exceeds the footrest level, take it to your dealer for service before starting the engine.

OPERATION

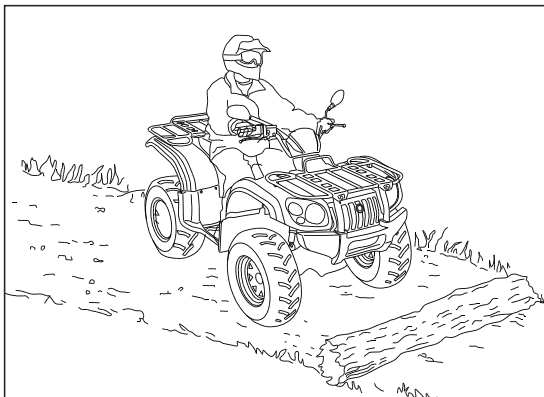
Driving Safely

Driving Over Obstacles

Be alert! Look ahead and learn to read the terrain. Be constantly alert for hazards such as logs, rocks and low hanging branches.

⚠ WARNING

Severe injury or death can result if your vehicle comes in contact with a hidden obstacle. Not all obstacles are immediately visible. Travel with caution in unfamiliar terrain.



OPERATION

Driving Safely

Driving in Reverse

Follow these precautions when operating in reverse:

1. Always avoid backing downhill.
2. Back slowly.
3. When in reverse, apply the brakes lightly for stopping.
4. Avoid turning at sharp angles in reverse.
5. Never open the throttle suddenly while backing.

▲ WARNING

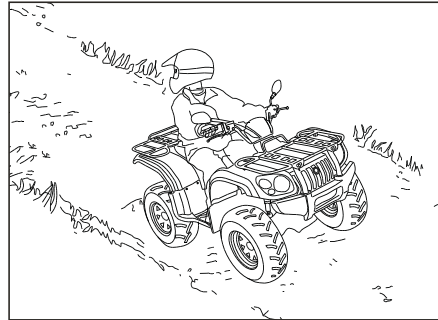
Failure to use caution when operating in reverse can result in serious injury or death. Before shifting into reverse, always check for obstacles or people behind the vehicle. When it's safe to proceed, back slowly.

Do not use the override switch unless additional power is required for vehicle movement. Use with caution. Avoid backing on inclines, and avoid turning at sharp angles.

NOTE: Your ATV is equipped with ECU. The override button should be used with caution as rearward vehicle speed is greatly increased.

CAUTION

Excessive throttle operation while in the speed limit mode may cause fuel to build in the exhaust, resulting in engine popping and/or engine damage.



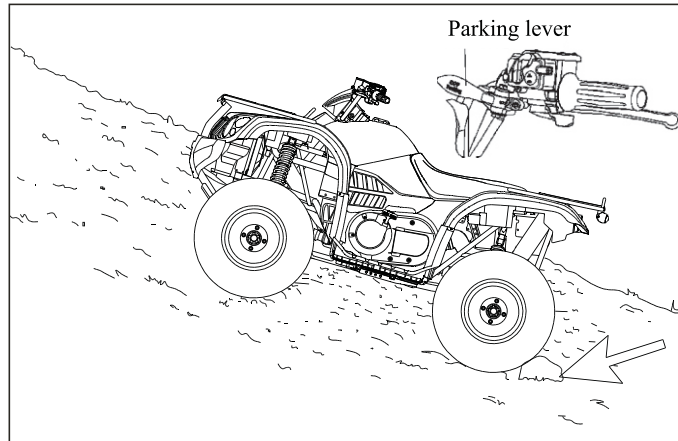
OPERATION

Driving Safely

Parking on an Incline

Avoid parking on an incline if possible. If it's unavoidable, follow these precautions:

1. Turn the engine off.
2. **Set the Parking lever to “parking ON ” position.**
3. Always block the rear wheels on the downhill side as illustrated.



OPERATION

Driving Safely

TURNING YOUR ATV/Quadricycle

To achieve maximum traction while riding in 2WD or 4WD, the two rear wheels are mounted solidly on one axle and turn together at the same speed. Furthermore, when riding in 4WD-LOCK (“DIFF. LOCK”), the front wheels also turn together at the same speed. Therefore, unless the wheel on the inside of the turn is allowed to slip or lose some traction, the ATV/Quadricycle will resist turning. A special turning technique must be used to allow the ATV/Quadricycle to make turns quickly and easily. It is essential that this skill be learned first at low speed.

▲ WARNING

Always follow proper procedures for turning as described in this Owner's Manual. Practice turning at low speeds before attempting to turn at faster speeds. Do not turn at speeds too fast for your skills or the conditions. Operate at a slow speed and allow extra time and distance for manoeuvres when in 4WD- LOCK (“DIFF. LOCK”).

As you approach a curve, slow down and begin to turn the handlebars in the desired direction. As you do so, put your weight on the footboard to the outside of the turn (opposite your desired direction) and lean your upper body into the turn. Use the throttle to maintain an even speed through the turn. This manoeuvres will let the wheel on the inside of the turn slip slightly, allowing the ATV/Quadricycle to make the turn properly.

OPERATION

Driving Safely

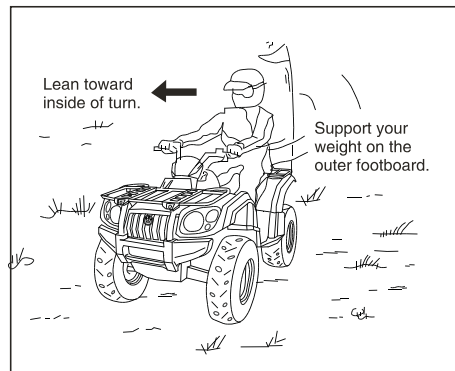
TURNING YOUR ATV/Quadricycle

This procedure should be practiced at slow speed many times in a large area with no obstacles. If an incorrect technique is used, your ATV/Quadricycle may continue to go straight. If the ATV/Quadricycle doesn't turn, come to a stop and then practice the procedure again. If the riding surface is slippery or loose, it may help to position more of your weight over the front wheels by moving forward on the seat.

Once you have learned this technique you should be able to perform it at higher speeds or in tighter curves.

Improper riding procedures such as abrupt throttle changes, excessive braking, incorrect body movements, or too much speed for the sharpness of the turn may cause the ATV/Quadricycle to tip. If the ATV/Quadricycle begins to tip over to the outside while negotiating a turn, lean more to the inside. It may also be necessary to gradually let off on the throttle and steer to the outside of the turn to avoid tipping over.

Remember: Avoid higher speeds until you are thoroughly familiar with the operation of your ATV/Quadricycle.



MAINTENANCE AND LUBRICATION

Accessories

Accessories power for operating accessories such as hand held spot lights.see your dealer.

Periodic Maintenance Chart

Careful periodic maintenance will help keep your vehicle in the safest, most reliable condition.

Inspection, adjustment and lubrication of important components are explained in the periodic maintenance chart.

Inspect, clean, lubricate, adjust and replace parts as necessary. When inspection reveals the need for replacement parts, use genuine parts available from your dealer.

NOTE: Service and adjustments are critical. If you're not familiar with safe service and adjustment procedures, have a qualified dealer perform these operations.

Maintenance intervals in the following chart are based upon average riding conditions and an average vehicle speed of approximately 10 miles per hour. Vehicles subjected to severe use must be inspected and serviced more frequently.

MAINTENANCE AND LUBRICATION

Severe Use Definition

- Frequent immersion in mud, water or sand
- Racing or race-style high RPM use
- Prolonged low speed, heavy load operation
- Extended idle
- Short trip cold weather operation

Pay special attention to the oil level. A rise in oil level during cold weather can indicate contaminants collecting in the oil sump or crankcase. Change oil immediately if the oil level begins to rise. Monitor the oil level, and if it continues to rise, discontinue use and determine the cause or see your dealer.

Maintenance Chart Key

- Perform these procedures more often for vehicles subjected to severe use.
- Have an authorized dealer perform these services.

Improperly performing the procedures marked with a “ ■ ” could result in component failure and lead to serious injury or death. Have an authorized dealer perform these services.

MAINTENANCE AND LUBRICATION

Periodic Maintenance Chart

Perform all services at whichever maintenance interval is reached first.

Item		Maintenance Interval (Whichever comes first)			Remarks
		Hours	Calendar	Mile(km)	
■	Steering		Pre-Ride		Make adjustments as needed. Refer to Pre-Ride Checklist on Page 55 - Page 56.
▶	Front suspension		Pre-Ride		
▶	Rear suspension		Pre-Ride		
	Tires		Pre-Ride		
▶	Break fluid level		Pre-Ride		
▶	Brake lever/pedal travel		Pre-Ride		
	Brake system		Pre-Ride		
	Wheels/fasteners		Pre-Ride		
	Frame fasteners		Pre-Ride		
▶	Engine oil level		Pre-Ride		
▶	Error light		Pre-Ride		
▶	Air filter		Daily		Inspect and clean often
▶	Air box sediment tube		Daily		Drain deposits when visible

MAINTENANCE AND LUBRICATION

Periodic Maintenance Chart

	Coolant		Daily		Check level daily,change coolant Every 2 years
	Headlamp/tail lamp		Daily		Check operation
▶	Air filter,main element		Weekly		Inspect, replace as needed
	Recoil housing		Weekly		Drain water as needed, check often if operating in wet condition.
▶	Brake pad wear	10H	Monthly	100	Inspect periodically
▶	Battery	20H	Monthly	200	Check terminals;clean;test
▶	Front gear case oil	25H	Monthly	250	Inspect level;change yearly
▶	Rear gear case oil	25H	Monthly	250	Inspect level;change yearly
▶	Transmission oil	25H	Monthly	250	Inspect level;change yearly
▶	Engine oil change (break in)	-	1M	250	Perform a break in oil change at one month
▶	General lubrication	50H	3M	500	Lubricate all fittings,pivots,cables,ect.

MAINTENANCE AND LUBRICATION

Periodic Maintenance Chart

	Shift lever	28H	1M	500	Inspect;lubricate;adjust,
■	Steering	50H	3M	500	Lubricate
▶	Front suspension	50H	6M	500	Lubricate
▶	Rear suspension	50H	6M	500	Lubricate
■	Throttle Cable/ETC Switch	50H	6M	500	Inspect;adjust;lubricate; Replace, if necessary
	Drive belt	50H	6M	500	Inspect;adjust.Replace if necessary
	Cooling system	50H	6M	500	Inspect coolant strength seasonally; pressure test system yearly.
▶	Engine oil change	100H	6M	1000	Perform a break-in oil change at 25 hours/one month

MAINTENANCE AND LUBRICATION

Periodic Maintenance Chart

▶	Fuel tank vent hose	100H	12M	1000	Inspect routing condition
▶	Valve clearance	100H	12M	1000	Inspect;adjust
■	Fuel system	100H	12M	1000	Check for leaks at tank cap,lines,fuel valve, filter,carburetor;replace lines every two years.
▶	Radiator	100H	12M	1000	Inspect;clean external surface
▶	Cooling hoses	100H	12M	1000	Inspect for leaks
▶	Engine mounts	100H	12M	1000	Inspect
	Exhaust muffler/pipe	100H	12M	1000	Inspect
■	Spark plug	100H	12M	1000	Inspect;replace as needed
▶	Wiring	100H	12M	1000	Inspect for wear,routing,security;apply dielectric grease to connectors subjected to water,mud,etc.

MAINTENANCE AND LUBRICATION

Periodic Maintenance Chart

■	Clutches (drive and driven)	100H	12M	1000	Inspect;clean;replace worm parts
■	Wheel bearings	100H	12M	1000	Inspect;replace as needed
■	Brake fluid	200H	24M	1000	Change every two years
	Spark arrestor	300H	36M	1000	Clean out
	Idle speed				Inspect parts
■	Toe adjustment				Inspect periodically;adjust when parts are replaced.
▶ ■	Auxiliary brake				Inspect daily;adjust as needed
	Headlamp				Adjust as needed

*Replace transmission belt every 2000km

MAINTENANCE AND LUBRICATION

Lubrication Recommendations

Check and lubricate all components at the intervals outlined in the Periodic Maintenance Chart beginning on page 79. Items not listed in the chart should be lubricated at the General Lubrication interval.

Lubrication Chart Key

► More often under severe use, such as wet or dusty conditions

★ All Seasons Grease

● Use U-Joint Lube every 500 miles, before long periods of storage, or after pressure washing or submerging

Item	Lube	Method
Engine	SAE15W-40/SF	Add to proper level on dip stick
Brakes	DOT3 or DOT4 fluid	Maintain level between fill lines. See P38
Front Gear case	SAE15w-40/SF or SAE80W/90GL-4	See Page 90
Rear Gear case	SAE15w-40/SF or SAE80W/90GL-4	See Page 92
Ball Joint	Grease	Locate fitting on back side of struts and grease with grease gun

MAINTENANCE AND LUBRICATION

Lubrication Recommendations

Engine oil

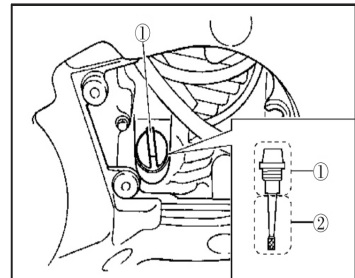
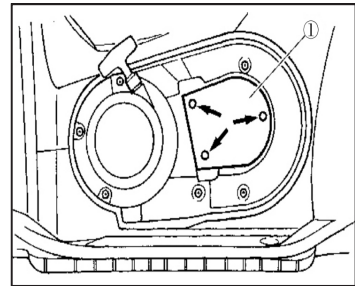
Always check and change the engine oil at the intervals outlined in the Periodic Maintenance Chart beginning on Page 80. Always change oil filter whenever changing oil.

Engine Oil Check

1. Pull outward on the areas shown ①
2. Position the ATV on a level surface
3. Start engine and left it idle for 20–30 seconds; stop the engine.
4. Wait a few minutes until the oil settles
5. Remove engine oil dipstick ①
6. Insert the dipstick in the oil filler hole and screwing it in, then remove it again to check the oil level

NOTE:

The engine oil should be between the upper and lower limit marks



MAINTENANCE AND LUBRICATION

Engine Oil Check

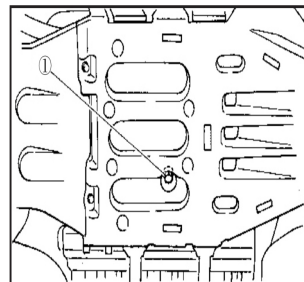
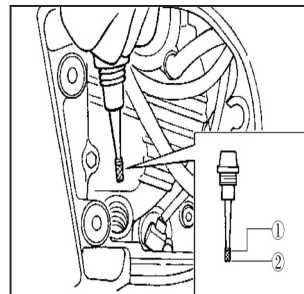
7. If the engine oil is at or below the lower limit remark, add sufficient oil of the recommended type to raise it to the correct level.
8. Insert the dipstick into the oil filler hole, and then tighten the oil filler cap.
9. Install the panel.

To change the engine oil

1. Start the engine, warm it up for several minutes, and then turn it off.
2. Place an oil pan under the engine to collect the used oil, and then remove the engine oil filler cap.
3. Remove engine oil drain bolt ① to drain the oil from the crankcase.
4. Remove the oil filter cartridge with an oil filter wrench.

NOTE:

An oil filter wrench is available at a nearby dealer.



MAINTENANCE AND LUBRICATION

To change the engine oil

5. Apply a light coat of engine oil to the O-ring of the new oil filter cartridge.

NOTE: Make sure the O-ring is seated properly.

6. Install the new oil filter cartridge with an oil filter wrench, and then tighten it to the specified torque with a torque wrench.

NOTE: Oil filter cartridge tightening torque: 17N. m

7. Install the engine oil drain bolt, and then tighten it to the specified torque.

NOTE: Engine oil drain bolt tightening torque: 30N. m

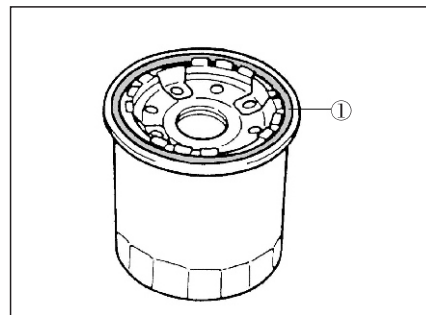
8. Add the specified amount of recommended engine oil, and then install the engine oil filler cap and tighten it.

NOTE: Without oil filter cartridge replacement oil quantity: 1.9L

With oil filter cartridge replacement oil quantity: 2.2L

9. Start the engine and warm it up for several minutes. While warming up, check for oil leakage. If oil leakage is found, turn the engine off immediately and check for the cause.

10. Turn the engine off, and then check the oil level and correct it if necessary.



MAINTENANCE AND LUBRICATION

To change engine oil

Rear gear case oil

The rear gear case must be checked for oil leakage before each ride. If any leakage is found, have your dealer check and repair the ATV.

Rear gear case oil replacement

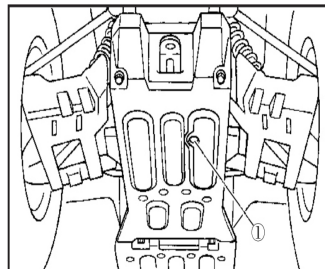
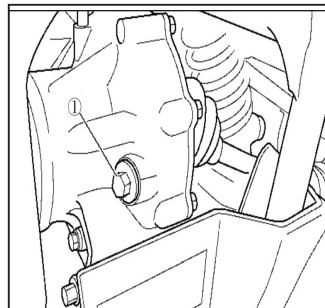
1. Place the machine on a level place.
2. Place a container under the rear gear case to collect the used oil.
3. Remove the oil filler bolt and the drain bolt to drain the oil.
4. Install the drain bolt and tighten it to the specified torque.

NOTE: Drain bolt (rear gear case) tightening torque: 23N. m

5. Fill the rear gear case with oil

NOTE: Periodic oil change oil quantity: 0. 25L

Total amount quantity: 0. 30L



MAINTENANCE AND LUBRICATION

Rear gear case oil replacement

6. Install the filler bolt and tighten to the specified torque.

NOTE Filler bolt (rear gear case) tightening torque: 23N. m

7. Check for oil leakage. If oil leakage is found, check for the cause.

NOTE: Be sure no foreign material enters the rear gear case

Front gear case oil measurement

1. Place the machine on a level place.

2. Remove the oil filler bolt and check the oil level. It should be up to the brim of the hole. If the level is low, add sufficient oil to raise it to the specified level.

3. Install the oil filler bolt and tighten it to the specified torque.

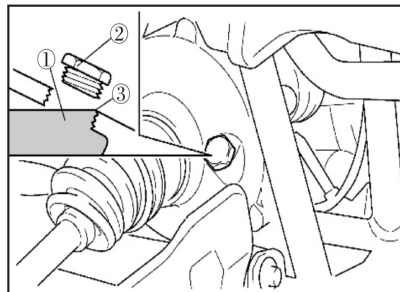
NOTE: Oil filler bolt tightening torque: 23N. m

Front gear case oil replacement

1. Place the machine on a level place

2. Place a container under the front gear case to catch the oil

3. Remove the filler bolt and drain bolt to drain the oil



MAINTENANCE AND LUBRICATION

Front gear case oil replacement

4. Install the drain bolt and tighten it to the specified torque.

NOTE: Drain bolt tightening torque:10N. m

5. Fill the front gear case with oil

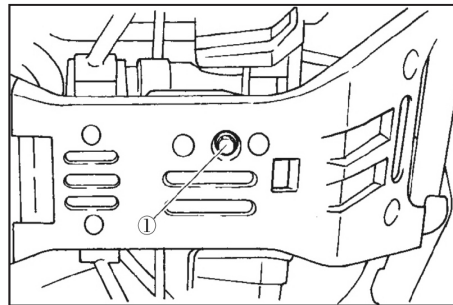
NOTE: Periodic oil change oil quantity:0. 28L

Total amount oil quantity:0. 33L

6. Inspect the filler bolt and tighten it to the specified torque.

7. Check for oil leakage.If oil leakage is found,check for the cause.

NOTE: Be sure no foreign material enters the front gear case.



Cooling system

1. Place the ATV on a level surface

2. Check the coolant level in the coolant reservoir when the engine is cold as the coolant level will vary with engine temperature.

NOTE: The coolant should be between upper and lower limit marks.

MAINTENANCE AND LUBRICATION

Cooling System

3. If the coolant is at or below the lower limit mark, remove the reservoir cap, add coolant to the upper limit mark, install the reservoir cap, and then install the panel.

NOTE: Coolant reservoir capacity (up to the upper limit mark): 0.3L

CAUTION:

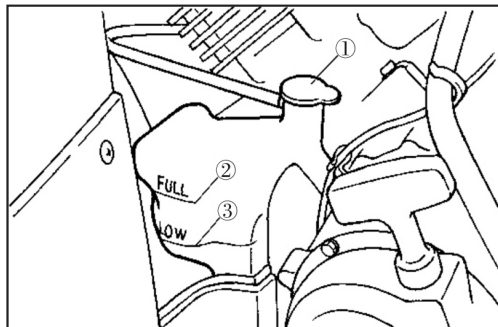
Hard water or salt water is harmful to the engine.

You may use soft water if you cannot get coolant

NOTE: If water is hot, water level rises and radiator fan does not work, check antifreeze fluid capacity in the reservoir first. If the antifreeze fluid is filled fully, the thermostat can adjust water temperature automatically. If engine temperature is higher than 80 degrees, the cooling fan begins to work.

To change coolant

1. Place ATV on a level place
2. Place a container under the engine, and then remove the coolant drain bolt (Use a trough or a similar object as shown to prevent coolant from spilling on the footrest)
3. Remove the radiator cap.
4. Remove the coolant reservoir cap.



MAINTENANCE AND LUBRICATION

Changing the coolant

5. Disconnect the hose on the on the coolant reservoir, and then drain the coolant out. .
 6. After draining out the coolant, flush the cooling system with clean water.
 7. Replace the coolant drain bolt washer if damaged, and tighten it as per stipulated torque.
- NOTE:** Torque: 10N. m
8. Install the coolant reservoir hose.
 9. Fill the radiator with recommended coolant till full.

NOTE:

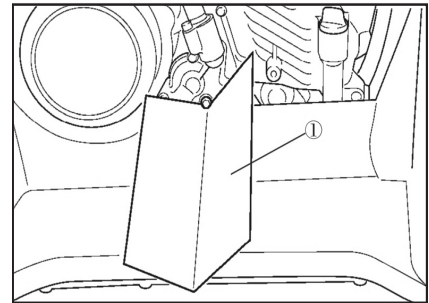
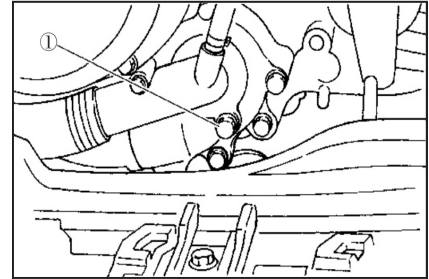
Recommended anrifreeze:

High quality ethylene glycol antifreeze

with anti corrosion aluminum engine

Mix Ratio between antifreeze and water:1:1

Total Amount:1. 9L



MAINTENANCE AND LUBRICATION

Changing the coolant

Coolant reservoir capacity

(Up to the Upper limit mark)

Capacity: 0.3L.

CAUTION

Hard water or salt water is harmful to engine.

Make sure to use soft water once you can't get coolant.

10. Install the radiator cap.

11. Start the engine, and keep it running in idle speed for several minutes; Shut the engine, and then check the coolant level; If the level is low, fill the coolant till the top of radiator.

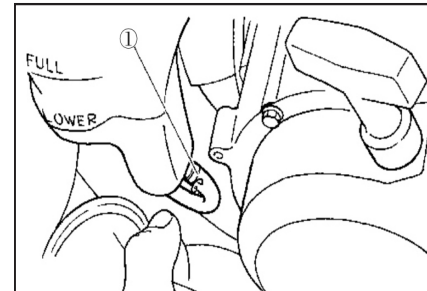
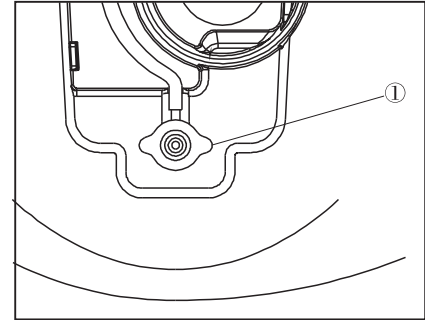
12. Fill the coolant into reservoir till up to Upper limit.

13. Install the coolant reservoir cover, and check the leakage.

NOTE: If there is any leakage, have your dealer check the cooling system.

14. Install the top cover and front rack.

- 94 -

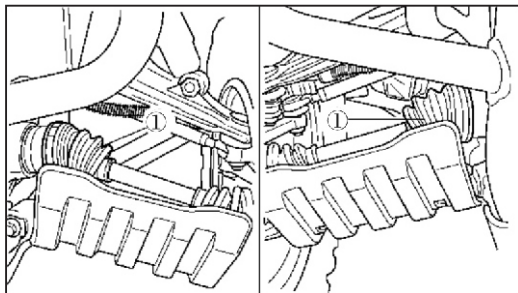


MAINTENANCE AND LUBRICATION

Axle boots

Check the protective boot for hole or tears.

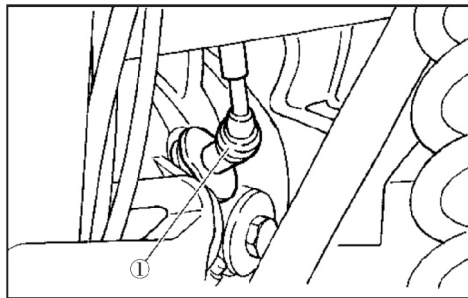
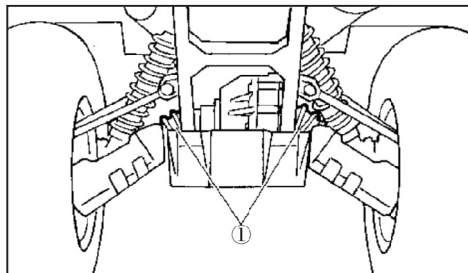
If there is any damage, have your dealer replace it.



Check the spark plug

Removal

1. Remove the panel.
2. Remove the spark plug cap.
3. Remove spark plug with wrench in the tool kit as per instruction.



Inspection **MAINTENANCE AND LUBRICATION**

Spark plug is an important engine part, and is easy to inspect. The condition of spark plug can indicate the engine condition. For a normal ATV, The ideal color on the white white insulator around the center electrode is medium-to-light brown color. Do not attempt to diagnose the problem by yourself, but have your dealer inspect it. Periodically remove and inspect the spark plug, because the heat and deposit will cause the spark plug damage and erode corrosion slowly. If there is excessive electrode erosion or too much carbon and other deposits, replace specific spark plug.

NOTE: Spark plug specification: DPR7EA-9 (NGK)

Installation

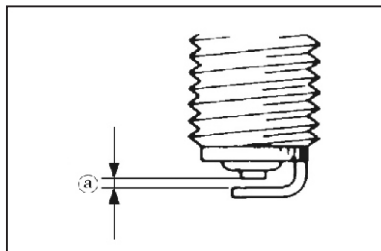
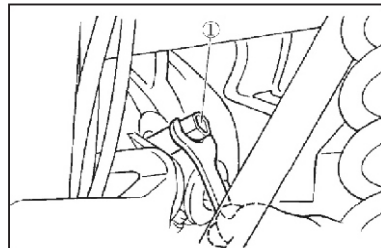
1. Measure the celectrode gap with thickness gauge.

Adjust the gap as per specification if necessary.

NOTE: Spark plug gap: 0.8-0.9mm

2. Inspect deposit, corrosion, or carbon on porcelain head of spark plug electrode and center part. Replace the spark plug if there is excessive deposit.

Clean the carbon and deposit with spark plug clean agent or brush.



MAINTENANCE AND LUBRICATION

Installation

3. Install the spark plug and tighten it as per stipulated torque.

NOTE: Spark plug torque: 17. 5N. m.

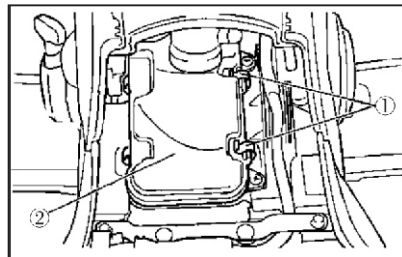
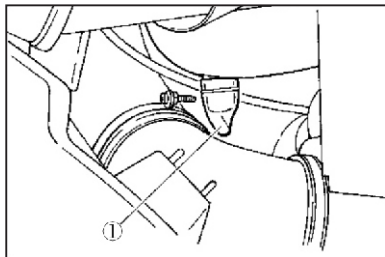
If you have no torque wrench when you install the spark plug, 1/4 to 1/2 turn more after tightening the spark plug by hand will be appropriate. Tighten the spark plug to stipulated torque as soon as possible.

4. Install spark plug cap.

5. Install the panel.

Cleaning Air filter element

NOTE: There is a check soft hose in air filter box. If there is dust or water in the soft hose, clean the soft hose, and air filter as well as air filter box.



MAINTENANCE AND LUBRICATION

Cleaning Air filter element

1. Remove the seat;
2. Open the bracket and remove air filter box cover;
3. Remove air filter;
4. Disassemble air filter from bracket;
5. Clean the air filter quietly with solvent;
6. Squeeze the excessive solvent out of the air filter, and then dry it.

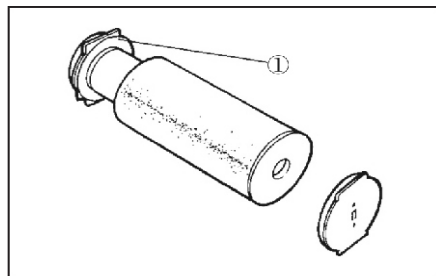
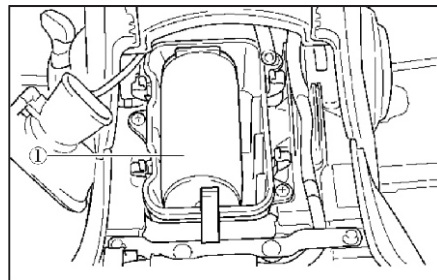
CAUTION:

Do not damage the air filter when squeezing the solvent;

7. Check the air filter and replace it if damaged;
8. Apply special oil or other good quality foam air filter oil on the air filter. If there is not such foam oil, use engine oil.

NOTE: The air filter element can be wet, but do not drip water on it.

9. Pull the air filter element out from the bracket;
10. Install the air filter element;
11. install air filter box cover and make sure the soft hose connected.



MAINTENANCE AND LUBRICATION

Cleaning air filter element

12. Install the seat;

NOTE: Clean the air filter element every 20-50 hours; More frequent cleaning and lubrication should be done when operating the vehicle in dust area. After each use, inspect the intake hole on the air filter box cover for obstruction. Inspect the sealing between air filter rubber connector and air hose joint of the carburetor; Tighten all fitting securely to avoid unfiltered air entering the engine.

CAUTION

Do not operate the engine when removing the air filter. That would allow the unfiltered air enter the engine, and to fasten the tear or damage. In addition, operating the engine without air filter device will affect the carburetor jetting performance, and possible engine overheating.

Cleaning spark arrester

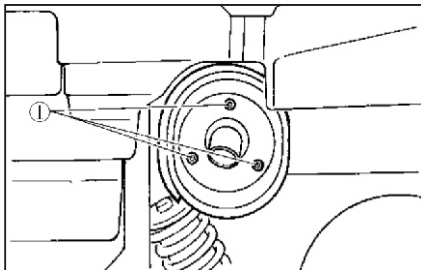
Make sure the exhaust pipe and muffler are cool when cleaning the spark arrester. .

1. Remove the bolts;
2. Pull out the pipe from muffler;
3. Tap the exhaust pipe quietly, and remove all carbon deposit from spark arrester in the pipe.

MAINTENANCE AND LUBRICATION

Cleaning spark arrester

4. Insert the exhaust pipe into the muffler aligning the bolt hole;
5. Install and tighten the bolts.

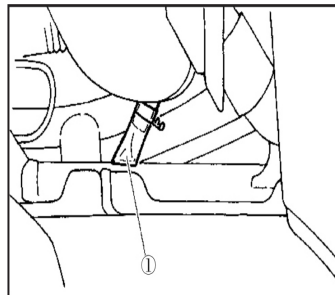
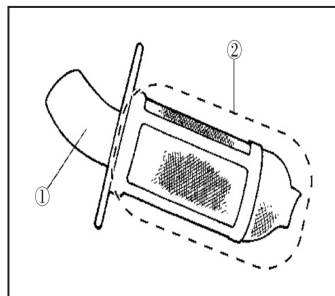


▲ WARNING

Cool down the muffler when cleaning the spark arrester.;
Not allowed to operate immediately shut the engine.

V-belt cooling duct inspect soft hose

If there is deposit or water inside, remove the soft hose
and clean it.

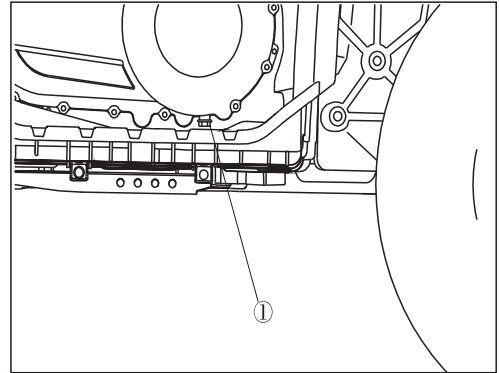


MAINTENANCE AND LUBRICATION

V-belt case drain bolt

When riding the vehicle in water, which reaches height of V-belt case, remove the bolt to drain the water from V-belt case.

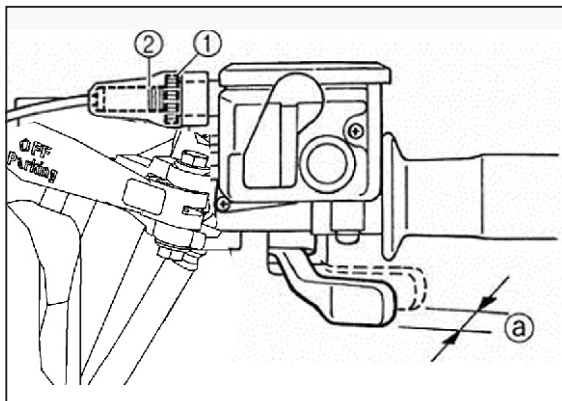
NOTE: If draining water from V-belt after removing the drain bolt, have your dealer check the ATV, because water may affect other engine parts.



MAINTENANCE AND LUBRICATION

Adjusting throttle lever

1. Loosend half nut;
2. Turn the adjusting nut to keep 3-5mm throttle lever free play.
3. Tighten haf nut.



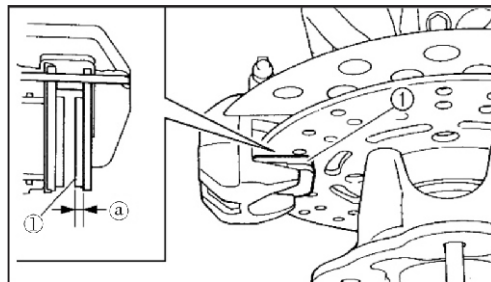
MAINTENANCE AND LUBRICATION

Inspecting from brake caliper

Check the brake disc for damage and wear.

If thickness of brake disc is less than 3.0mm, have your dealer replace the whole brake pads.

NOTE: Need to remove the wheels to check the brake pads.

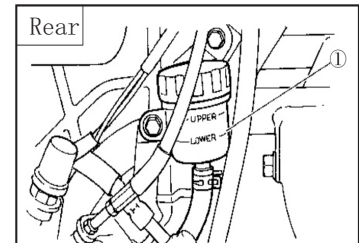
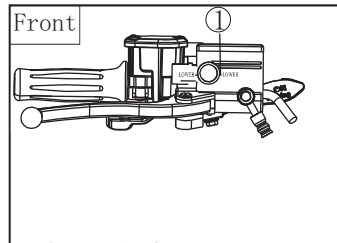
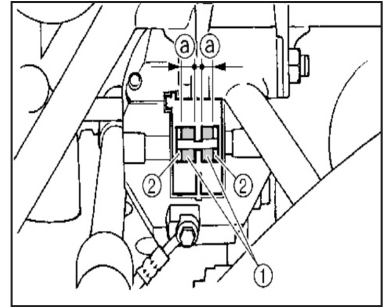


MAINTENANCE AND LUBRICATION

Checking rear disc

Check the brake disc for damage and wear.
If the brake disc thickness is less than 6.5mm,
have your dealer replace the brake pads.

Check the brake fluid level
Insufficient brake fluid may allow the air enter
the braking system.and cause the brake in disorder;
Before riding, check the brake fluid level
above the Lower Limit mark,and add brake fluid
if necessary.Front master cylinder reservoir
is located on the right side of handlebar; Rear
master cylinder fluid reservoir is located near the
rear brake pedal.



MAINTENANCE AND LUBRICATION

Checking brake fluid level

Observe these precautions:

1. When checking brake fluid level, turn the grip to make sure top level of master cylinder reservoir.
2. Only use appointed good quality brake fluid, otherwise, rubber seals will be deteriorated, causing leakage and poor brake performance.

NOTE: Recommended brake fluid: DOT3 or DOT4.

3. Refill with same type brake fluid till full. Mixed brake fluid may cause harmful chemical reaction and lead to poor brake performance.
4. Be careful not to allow water entering master cylinder reservoir, when refilling brake fluid; water will significantly lower the boiling point of the fluid.
5. Brake fluid may deteriorate painted surfaces or plastic parts. Always clean up spilled fluid immediately.
6. Have your dealer check the reason why the brake fluid level goes down.

MAINTENANCE AND LUBRICATION

Process to Replace Brake Fluid

Replacement shall be done only by trained service man;

Dealers need to replace Brake Fluid when making Maintenance , or when parts are damaged, or when Break Fluid leaks

● Replace Oil Seal once every two years.

● Replace Braking Hose once every four years.

● Free play at end of Braking Lever

shall be zero mm; otherwise please ask your dealer to check the Braking System.

▲ WARNING

Make Sure after Maintenance that

● Braking successfully with enough clearance.

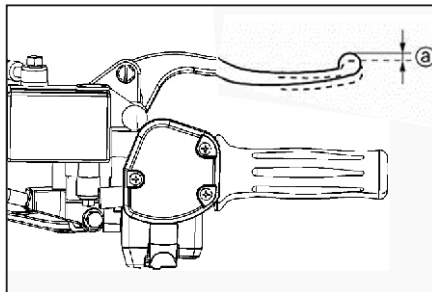
● No obstacle when braking.

● No air remains in braking system.

Replacement of brake components requires professional knowledge.

These procedures should be performed by your dealer.

If adjustment is necessary, please make sure follow procedure as below :



MAINTENANCE AND LUBRICATION

Adjustment of Rear Brake Lever and Footpedal
Adjustment of Rear Brake Lever Clearance

Rear Brake Lever clearance © is 0.5–2mm

1. Unscrew Locking Screw①。
2. Turn Bolt 2 to increase clearance; Turn Bolt 2 with direction ③
3. Tighten Screw①。

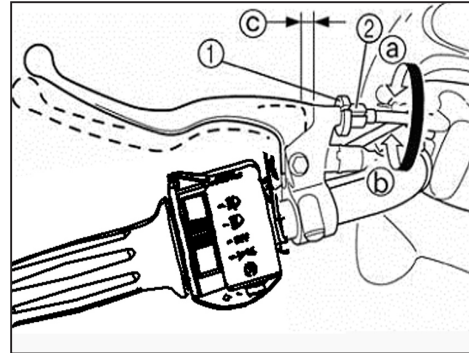
Please send to dealer if adjustment cannot be done.

NOTE: When adjust clearance,make sure

- Make sure the brakes operate smoothly
- Braking Footpedal does not move

Procedure to adjust height of Rear Braking Footpedal:

Note:Adjust Rear Braking Kit before check Rear Brake Gasket



MAINTENANCE AND LUBRICATION

Rear Brake Pedal Adjustment

Top of Rear Brake Pedal shall be 72mm higher from the end; otherwise please ask your dealer to adjust.

▲ WARNING

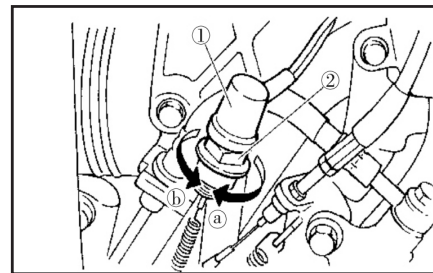
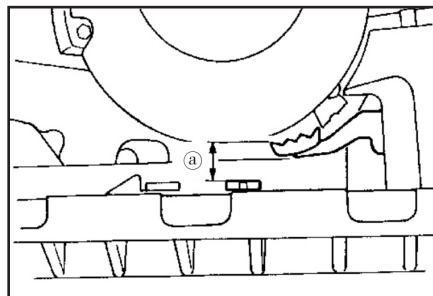
After servicing, make sure that

- Make sure the brakes operate smoothly and that the free play is correct.
- Make sure the brakes do not drag.

All air must be bled from the brake system.

Replacement of brake components requires professional knowledge. These procedures should be performed by your dealer.

The rear brake light switch, which is activated by the brake pedal and brake levers, is properly adjusted when the brake light comes on just before braking takes effect. If necessary, adjust the brake light switch as follows.



MAINTENANCE AND LUBRICATION

Rear Brake Pedal Height Adjustment

Turn adjustment nut while pushing rear brake light switch; Brake light is on in advance while turning with direction ① Brake light on is delayed while turning with direction ②
Inspection and lubrication of wiring and cables.

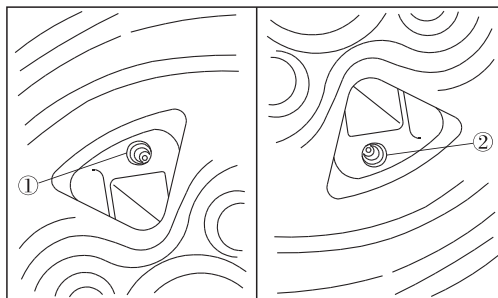
▲ WARNING

It is necessary to inspect oftenly the wirings and cables;replace if there is any damage.Lubricate the moving point of cables;
If cables are not moving well,contact your dealer for replacement.

NOTE: Recommended lubricante: oil SAE10W-30

Lubricate Upper&Lower Shaft Joint of Rear Steering Knuckle with a Spray Gun

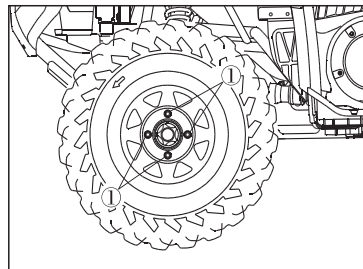
NOTE: Recommended Lubricante --Lithium base grease



MAINTENANCE AND LUBRICATION

Wheel Removal

1. Loosen the wheel nuts.
2. Elevate the ATV and place a suitable stand under the frame.
3. Remove the nuts from the wheel.
4. Remove the wheel.

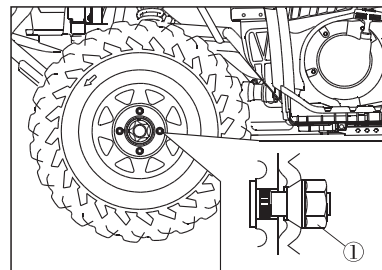
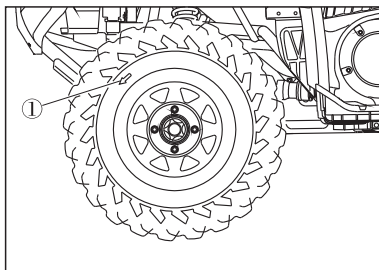


Wheel Installation

1. Install the wheel and the nuts.

NOTE: ● Tapered nuts are used for both the front and rear wheels. Install the nut with its tapered side towards the wheel.

- The arrow ↗ mark on the tire must point toward the rotating direction of the wheel.



MAINTENANCE AND LUBRICATION

Wheel Installation

2. Lower the ATV so that the wheel is on the ground.
3. Tighten the wheel nuts to the specified torque.

NOTE: Wheel Nut Torque: Front 55N. m; Rear: 55N. m

This machine is equipped with a sealed-type battery. Therefore it is not necessary to check the electrolyte or add distilled water in the battery. If the battery seems to have discharged, consult your dealer.

NOTE:

Do not try to remove the sealing caps of the battery cells. You may damage the battery.

⚠ WARNING

Avoid contact with skin, eyes or clothing. Always shield eyes when working near batteries. Keep out of reach of children.

Antidote:

EXTERNAL: Flush with water. INTERNAL: Drink large quantities of water or milk.

Follow with milk of magnesia, beaten egg or vegetable oil. Get prompt medical attention.

EYES: Flush with water for 15 minutes and get prompt medical attention. Keep batteries away from sparks, flames, cigarettes or other sources of ignition. Ventilate when charging or using in a closed space.

MAINTENANCE AND LUBRICATION

Battery Maintenance

When the machine is not used for a month or longer, remove the battery and store it in a cool, dark place. Completely recharge the battery before reinstallation.

CAUTION:

A special battery charger (constant voltage/ampere or constant voltage) is required for recharging a sealed-type battery. Using a conventional battery charger may shorten the battery life.

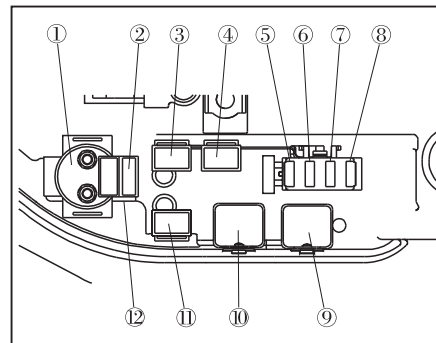
2. Always make sure the connections are correct when putting the battery back in the machine.

Fuse Replacement

1. The main fuse case and the fuse box are located under the seat.
2. If a fuse is blown, turn off the main switch and install a new fuse of the specified amperage. Then turn on the switches. If the fuse immediately blows again, consult your dealer.

▲ WARNING

Always use a fuse of the specified rating.
Never use a material in place of the proper fuse.



- | | |
|-------------------------|--------------------------|
| 1. Start Relay | 2. Main Fuse (20A) |
| 3. Servo Start Relay 1 | 4. Fuel Pump Relay |
| 5. Fuse (10A) | 6. Fuse (15A) |
| 7. Fuse (15A) | 8. Fuse (10A) |
| 9. Fan Relay | 10. Head light Relay |
| 11. Servo Start Relay 2 | 12. Auxiliary Fuse (20A) |

MAINTENANCE AND LUBRICATION

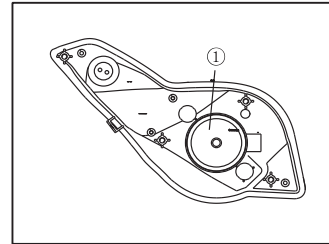
Replacement of Fuse

CAUTION

To prevent accidental short-circuiting, turn off the main switch when checking or replacing a fuse.

Replacement of Headlight Bulb

1. Pull out Rubber Cover at the back of headlight.
2. Remove Rear Holder of headlight.
3. Remove headlight from headlight rear holder.



⚠ WARNING

Wait till bulb is cold before any touch or removal of bulb.

MAINTENANCE AND LUBRICATION

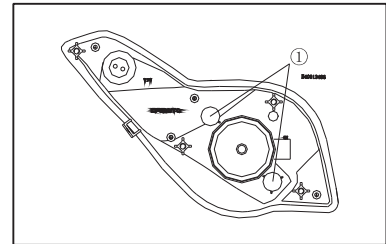
Replacement of headlight Bulb

4. Insert a new headlight bulb into the headlight bulb holder, and then lock it by spring.
5. Install the bulb holder by turning it clock-wise
6. Install the rubber cover at the rear of the headlight
7. Install the headlight cover with the bolts.

Headlight Beam Adjustment

CAUTION

It is advisable to have your dealer make this adjustment.
Turn the adjusting screws can raise or lower the beam.

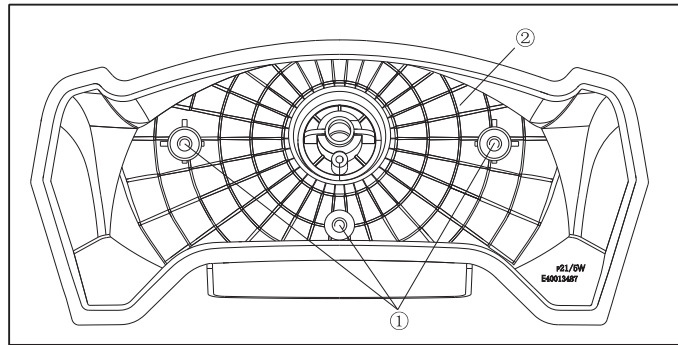


MAINTENANCE AND LUBRICATION

Tail/Brake Light Bulb Replacement

If the tail/brake light bulb burns out, replace it as follows:

1. Remove the screws , and then pull tail/brake light cover ② out.
2. Remove the tail/brake light bulb by pushing it in and turning it counter-clockwise.
3. Insert a new tail/brake light bulb, push it in, and the turning it clockwise.
4. Install the tail/brake light cover with the screws.



MAINTENANCE AND LUBRICATION

Front and Rear Suspension Adjustment

The spring preload can be adjusted to suit the rider's weight and riding conditions.

NOTE: When adjusting the rear shock absorbers, the rear wheels need to be removed.

Adjust the spring preload as follows.

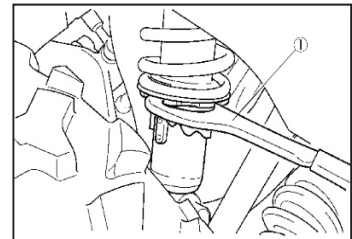
To increase the spring preload, turn the adjusting ring in direction (a) (b)

To decrease the spring preload, turn the adjusting ring in direction (b)

NOTE: A special wrench can be obtained at a dealer to make this adjustment. Standard position: B

A- Minimum (soft)

BE- Maximum (hard)



▲ WARNING

Always adjust the shock absorbers on the left and right side to the same setting.

MAINTENANCE AND LUBRICATION

Vehicle Immersion

CAUTION

If your vehicle becomes immersed, major engine damage can result if the machine is not thoroughly inspected. Take the vehicle to your dealer before starting the engine.

If it is impossible to take your ATV to a dealer before starting it, follow the steps outlined below.

1. Move the ATV to dry land or at the very least, to water below the footrests.
2. Remove the spark plug.
3. Check the air box and drain if there is water.
4. Turn the engine over several times using the electric start.
5. Dry the spark plug and reinstall, or replace it with a new plug.
6. Start the engine; Repeat above process several times to dry engine, if necessary.
7. Take the ATV to your dealer for service as soon as possible, whether you succeed in starting it or not.

NOTE: If water has been ingested into the CVT, follow the procedure on page 101 for drying out the CVT. Otherwise owner shall be responsible for the damage from this.

Cleaning and Storage

Cleaning of ATV

Keeping your ATV clean will not only improve its appearance but it can also extend the life of various components. With a few precautions, your ATV can be cleaned much like an automobile.

Washing the ATV

The best and safest way to clean your ATV is with a garden hose and a pail of mild soap and water. Use a professional type washing mitt, cleaning the upper body first and the lower parts last. Rinse with water frequently and dry with a chamois to prevent water spots.

NOTE: If warning and safety labels are damaged, contact your dealer for replacement.

It is not recommended to use high pressure type car wash system for washing the ATV.

If a high pressure system is used, exercise extreme care to avoid water damage to the wheel bearings, transmission seals, body panels, brakes and warning labels.

NOTE: Grease all zerk fittings immediately after washing, and allow the vehicle to run for a while to evaporate any water that may have entered the engine or exhaust system.

Waxing the ATV

Your ATV can be waxed with any non-abrasive automotive paste wax. Avoid the use of harsh cleaners since they can scratch the body finish.

CAUTION

Certain products, including insect repellants and chemicals, will damage plastic surfaces. Use caution when using these products near plastic surfaces.

Cleaning and Storage

CAUTION

Starting the engine during the storage period will disturb the protective film created by fogging and damage could occur. Never start the engine during the storage period.

Clean the Exterior

Make necessary repairs and then clean the ATV/Quadricycle thoroughly with mild soap and warm water to remove all dirt and grime. Don't use harsh detergents or high pressure washers. Some detergents deteriorate rubber parts. Use dish soap type cleaners only. High pressure washers may force water past seals.

Stabilize the Fuel

Fill the fuel tank. Add Carbon Clean Fuel Treatment or Fuel Stabilizer. Follow the instruction on the container for the recommended amount. (Carbon clean will also reduce the possibility of bacterial growth in the fuel system) Allow 15-20 minutes of operation for the stabilizer to disperse through the fuel in the tank and carburetor and then drain the carburetor bowl.

Cleaning and Storage

Air Filter/Air Box

Inspect and clean or replace the pre-cleaner and air filter. Clean the air box and drain the sediment tube.

Breather Filter

Inspect and clean or replace the breather filter.

Fluid Levels

Inspect the following fluid levels and change if necessary: front gear case; transmission; brake fluid (change every 2 years or as required if fluid looks dark or contaminated).

Lubricate the Engine

Remove the spark plug and add 2-3 tablespoons of 4 Synthetic SAE15W-40/SF engine oil. To access the plug hole, use a section of clear 1/4 hose and a small plastic squeeze bottle filled with the pre-measured amount of oil.

NOTE: Do this carefully! If you miss the plug hole, oil will drain from the spark plug cavity into the hole at the front of the cylinder head, and appear to be an oil leak. Install the spark plug and pull the engine over slowly with the recoil starter. Oil will be forced in and around the piston rings and ring lands, coating the cylinder with a protective film of fresh oil.

Cleaning and Storage

Fog the Engine

If you choose not to use Fogging Oil, perform the following procedure.

1. Support the front end of the machine, so the engine is level or tilted slightly rearward.
2. Remove the spark plug. Rotate the piston to BDC and pour approximately two ounces of oil into the cylinder.
3. Apply dielectric grease to the inside of the spark plug cap and install the cap onto the plug.
4. Turn the engine over several times to ensure coverage of piston rings, cylinder walls and crankshaft bearings.
5. Treat the fuel system with Carbon Clean.
6. If fuel system additive is not used, fuel tank, fuel lines, and carburetor should be completely drained of gasoline. To eliminate fuel remaining in the carburetor, run the engine until it stops.

Lubricate

Inspect all cables and lubricate with Cable Lubricate. Follow lubrication guidelines in the maintenance section of the service or owner's manual to completely grease and lubricate the entire vehicle with All Season Grease.

Cleaning and Storage

Battery Storage

Remove the battery from the vehicle and ensure that it's fully charged before placing it in storage.

Engine Anti-freeze

Test engine coolant strength and change if necessary. Coolant should be replaced every two years.

Storage Area/Covers

Set the tire pressure and safely support the ATV/Quadricycle with the tires 30–50mm off the ground. Be sure the storage area is well ventilated, and cover the machine with a ATV/Quadricycle cover.

NOTE: Do not use plastic or coated material. They do not allow enough ventilation to prevent condensation, and may promote corrosion and oxidation.

Transporting the ATV/Quadricycle

Follow these procedures when transporting the vehicle.

1. Turn off the engine and remove the key to prevent loss during transporting.
2. Always place the transmission in park.
3. Be sure the fuel cap, oil cap and seat are installed correctly.
4. Always tie the frame of the ATV/Quadricycle to the transporting unit securely using suitable straps or rope.

Cleaning and Storage

Chrome Wheel Care(if equipped)

Proper maintenance will protect chrome wheels from corrosion, preserve wheel life and ensure a "like new" appearance for many years.

1. Wash chrome rims frequently. Use a mild detergent to remove any salt, dirt, mud or grime. Never use abrasive cleaners on plated or painted surfaces.
2. Polish the clean chrome wheels periodically. Use an automotive grade chrome polish.
3. Routinely and liberally apply a weather resistant wax to each polished chrome wheel. Choose a product suitable for chrome finishes. Read and follow the product labels and instructions.
4. Chrome wheels exposed to road salt (salt in the air in coastal areas) are more susceptible to corrosion if not properly cleaned. Clean chrome wheels more often if they're exposed to salt or other corrosive elements.

Removing Corrosion

If light rust is found on the chrome finish, use steel wool (#0000-OTT grade) to remove it. Gently rub the affected areas with the steel wool until the corrosion has been removed. Clean and polish the wheel as outlined above.

TROUBLESHOOTING

Drive belt and cover problems

Possible Cause	Solution
Driving the ATV/Quadricycle onto a pickup or tall trailer in high range	Shift transmission to low range during loading of the ATV/Quadricycle to prevent belt burning.
Starting out going up a steep incline	When starting out on an incline, use low range or dismount ATV/Quadricycle (after first applying the park brake) and perform the K-turn as described on page 67.
Driving at low RPM (at approximately 5-11 MPH)	Use low range more frequently. The use of low range is highly recommended for cooler CVT operating temperatures and longer component life.
Insufficient warm-up of ATV/Quadricycle exposed to low ambient temperatures	Warm the engine at least 5 minutes. With the transmission in park, advance the throttle to about 1/8 throttle in short bursts, 5 to 7 times. The belt will become more flexible and prevent belt burning.
Slow and easy clutch engagement	Use the throttle quickly and effectively for efficient engagement.
Towing /pushing at low RPM	Use low range only
Utility use/plowing snow, dirt, etc.	Use low range only

Drive belt and cover problems

Possible Causes	Solution
Stuck in mud or snow	Shift the transmission to low range and carefully use fast, aggressive throttle application to engage clutch. WARNING : <u>Excessive throttle may cause loss of control and vehicle overturn.</u>
Climbing over large objects from a stopped position.	Shift the transmission to low range, and carefully use fast, brief, aggressive throttle application to engage clutch. WARNING: Excessive throttle may cause loss of control and vehicle overturn.
Water or snow ingestion into CVT system	Shift the transmission to park. Using the throttle, vary the engine RPM from idle to full throttle. Repeat several times as required. During this procedure, the throttle should not be held at full position more than 10 seconds. Clutch seals should be inspected for damage if repeated leaking occurs.
Clutch doesn't work	Contact your dealer for inspection of clutch components
Poor engine performance	Check for fouled plugs or foreign material in gas tank, fuel tank, fuel lines, or carburetor. Contact your dealer for service.

Contact your dealer for service if you're unable to identify solutions using following charts.

Engine doesn't Turn Over

Possible Cause	Solution
Tripped circuit breaker	Reset the breaker
Low battery voltage	Recharge battery to 12.5VDC
Loose battery connections	Check all connections and tighten
Loose solenoid connections	Check all connections and tighten

Engine Turns Over, Fails to Start

Possible causes	Solution
Out of fuel	Refuel
Clogged fuel valve filter	Inspect and clean or replace
Water is present in fuel	Drain the fuel system and refuel
Fuel pump out of use	Replace
Old or non-recommended fuel	Replace with new fuel
Fouled or defective spark plug(s)	Inspect plug(s), replace if necessary
No spark to spark plug	Inspect plug(s), verify stop switch is on

Engine turns over, fails to start

Possible causes	Solution
Crankcase filled with water or fuel	Immediately see your dealer
Clogged fuel filter	Replace the filter
Low battery voltage	Recharge battery to 12.5 VDC
Mechanical failure	See your dealer

Engine Pings or Knocks

Possible cause	Solution
Poor quality or low octane fuel	Replace with recommended fuel
Incorrect ignition timing	See your dealer
Incorrect spark plug gap or heat range	Set gap to specified or replace

Engine Backfires

Possible Cause	Solution
Weak spark from spark plugs	Inspect, clean and/or replace spark plug
Incorrect spark plug gap or heat range	Set gap to specified or replace plugs
Old or non-recommended fuel	Replace with new fuel
Incorrectly installed spark plug wires	See your dealer
Incorrect ignition timing	See your dealer
Mechanical failure	See your dealer

Engine Runs Irregularly, Stalls or Misfires

Possible cause	Solution
Fueled or defective spark plug	Inspect, clean and/or replace spark plug
Worn or defective spark plug wires	See your dealer
Incorrect spark plug gap or heat range	Set gap to specified or replace plugs
Loose ignition connections	Check all connections and tighten
Water present in fuel	Replace with new fuel
Low battery voltage	Recharge battery to 12.5 VDC

Engine Runs Irregularly,Stalls or Misfires

Possible Weak Spark Cause	Solution
Kinked or plugged fuel vent line	Inspect and replace
Incorrect fuel	Replace with recommended fuel
Clogged air filter	Inspect, clean and repalce
Reverse speed limiter malfunction	See your dealer
Other mechanical failure	See your dealer
Possible lean fuel mixture cause	Solution
Low or contaminated fuel	Add or change fuel, clean the fuel system
Low octane fuel	Replace with recommended fuel
Low pressure of fuel pump	Replace fuel pump
Incorrect jetting	See your dealer
Possible Rich Fuel Mixture Cause	Solution
Fuel is very high octane	Replace with lower octane fuel
Incorrect jetting	See youe dealer

Engine Stops or Loses Power

Possible cause	Solution
Out of fuel	Refuel
Kinked or plugged fuel vent line	Inspect and replace
Water present in fuel	Replace with new fuel
Defective fuel pump or fuel pump relay	Inspect/replace
Fouled or defective spark plugs	Inspect and replace plug if necessary
Worn or defective spark plug wires	See your dealer
Incorrect spark plug gap or heat range	Set gap to specified or replace plugs
Loose ignition connections	Check all connections and tighten
Low battery voltage	Recharge battery to 12.5VDC
Incorrect fuel	Replace with recommended fuel
Clogged air filter	Inspect, clean or replace
Reverse speed limiter malfunction	See your dealer
Other mechanical failure	See your dealer

Engine Stops or Loses Power

Possible cause	Solution
Overheated engine	Clean radiator screen and core if equipped Clean engine exterior See your dealer

MSE3.0**PCODE LIST**

No	PCODE	Faiure Analysis	Failure Type
1	P0030	Heating Control Circuit Of Oxygen Sensor is open circuit.	Signal Failure
2	P0031	Oxygen Sensor Heating Control Circuit Short- to-Ground	Minimum Failure
3	P0032	Oxygen Sensor Heating Control Circuit short-to-power	Maxmum Failure
7	P0053	Internal Resistance of Oxygen Sensor Heating is improper	
9	P0105	Air Inlet Pressure Sensor Signal No Variable	
10	P0106	Improper Air Inlet Pressure Sensor	
11	P0107	Air Inlet Pressure Sensor Short-to-Ground	Minimum Failure
12	P0108	Air Inlet Pressure Sensor Short-to-Power	Maxmum Failure
13	P0112	Low Voltage of Air Inlet Temperature Sensor	Maxmum Failure
14	P0113	High Voltage of Air Inlet Temperature Sensor	Minimum Failure
15	P0116	Improper Engine Coolant Temperature Sensor	
16	P0117	Low Voltage Limit of Engine Coolant Temperature Sensor	Maxmum Failure
17	P0118	High Voltage Limit of Engine Coolant Temperature Sensor	Minimum Failure
18	P0122	The Voltage of Throttle Postion Sensor is too low.	Minimum Failure
19	P0123	The Voltage of Throttle Postion Sensor is too high.	Maxmum Failure
20	P0130	Improper Signal of Oxygen Sensor	
21	P0131	Voltage of Oxygen Sensor is too low.	

22	P0132	Signal Circuit Voltage of Oxygen Sensor is too high.	
23	P0133	Oxygen Sensor is worn out.	
24	P0134	Signal Circuit Failure of Oxygen Sensor	
29	P0170	self studying found closing loop control air fuel ratio is unusual when making End of line Testing	
30	P0171	self studying found closing loop control air fuel ratio is too thin when making End of Line Testing	
31	P0172	self studying found closing loop control air fuel ratio is too thick when making End of Line Testing	
32	P0201	Control Circuit of Cylinder 1 injector is open circuit.	Signal Failure
33	P0202	Control Circuit of Cylinder 2 injector is open circuit.	
36	P0261	Control Circuit of Cylinder 1 injector is short-to-ground.	Minimum Failure
37	P0262	Control Circuit of Cylinder 1 injector is short-to-power.	Maximum Failure
38	P0264	Control Circuit of Cylinder 2 injector is short-to-ground.	
39	P0265	Control Circuit of Cylinder 2 injector is short-to-power.	
51	P0321	Reference Point of Rotate Speed Sensor Fault	
52	P0322	Non-rotate Speed Sensor Pulse Signal(Open Circuit or Short Circuit)	
60	P0444	Control Circuit of Idle Air Control Valve open circuit	Signal Failure
61	P0458	Voltage of Control Circuit of Idle Air Control Valve is too low.	
62	P0459	Voltage of Control Circuit of Idle Air Control Valve is too high.	
65	P0501	The signal of Rotate Speed Sensor is unusual.	Signal Failure
66	P0506	Rotate Speed of Idle Control is slower than that of Target Idle.	

67	P0507	Rotate Speed of Idle Control is faster than that of Target Idle.	
68	P0508	Pin of Stepping Motor Driver is short to ground.	
69	P0509	Pin of Stepping Motor Driver is short to power.	
70	P0511	Pin of Stepping Motor Driver is open circuit.	
75	P0560	Voltage Signal of Battery is unusual.	Unusual Failure
76	P0562	Low Voltage of Battery	Minimum Failure
77	P0563	High Voltage of Battery	Maximum Failure
78	P0602	ECU Code Failure	
79	P0627	Control Circuit of Fuel Pump Relay is incomplete.	Signal Failure
80	P0628	Control Circuit of Fuel Pump Relay is short-to-ground.	Minimum Failure
81	P0629	Control Circuit of Fuel Pump Relay is short-to-power.	Maximum Failure
85	P0650	Drive Circuit of MIL Light is fault.	
91	P2177	Figure of Self Studying found Closing Loop control Air Fuel Ratio exceeds the upper limit.	
92	P2178	Figure of Self Studying found Closing Loop control Air Fuel Ratio exceeds the lower limit.	
93	P2195	Oxygen Sensor is worn out (too thin)	
94	P2196	Oxygen Sensor is worn out (too thick)	

PCODE uses 4 digit flashing.

For Example: "0650"

"0" flashes 10 times.

"6" flashes 6 times.

"5" flashes 5 times.

"0" flashes 10 times.

Main Technical Data

Data \ Model	CF500-5C/CF625-C
Overall Size (mm)	2300×1180×1230
Wheel Base (mm)	1490
Min. Ground Clearance (Load) (mm)	275
Nearest Min. Turning Diameter (L, R) (mm)	6500
Furthest Min. Turning Diameter (L, R) (mm)	9500

Main Technical Data

Data \ Model	CF500-5C/CF625-C
Weight (kg)	358
Front Track (mm)	920
Rear Track (mm)	880

Data \ Model	CF500-5C/CF625-C	
Fuel Capacity (L)	18	
Reserve Fuel Capacity (L)	4	
Fuel Type	Unleaded Gasoline 93 or Above	
(Kerb Mass) Axle Loaded	Front Axle (kg)	194
	Rear Axle (kg)	164

Main Technical Data

Data \ Model		CF500-5C/CF625-C
Frame Type		Steel
Caster (mm)		26.5
Wheel Rake (°)	Front Wheel	Camber: 1 ± 0.5 (Unloaded)
	Rear Wheel	Camber: 1 ± 0.5 (Unloaded)
Caster Angel		9°52'
Kingpin Offset (mm)		26.5
Toe in (mm)		4-10

Main Technical Data

Data		Model
		CF500-5C/CF625-C
Rim Type and Size	Front Wheel (mm)	Plate 12×6.0AT/ Light Alloy 12×6.0AT
	Rear Wheel (mm)	Plate 12×7.5AT/ Light Alloy 12×7.5AT
Tire Size	Front Wheel	185/88-12 40J
	Rear Wheel	270/60-12 47J
Tire Type	Front Wheel	Tubeless tire
	Rear Wheel	

Main Technical Data

Data \ Model		CF500-5C/CF625-C
Front Brake	Type	Hydraulic Disc
	Operation Mode	Manual Opeartion
Rear Brake	Type	Hydraulic Disc
	operation Mode	Manual and Foot Connection Operation
Tire Pressure (kpa)	Front Wheel	Front Wheel35, Rear Wheel30
	Rear Wheel	
Front, Rear Suspension		Independent Swing Arm

Main Technical Data

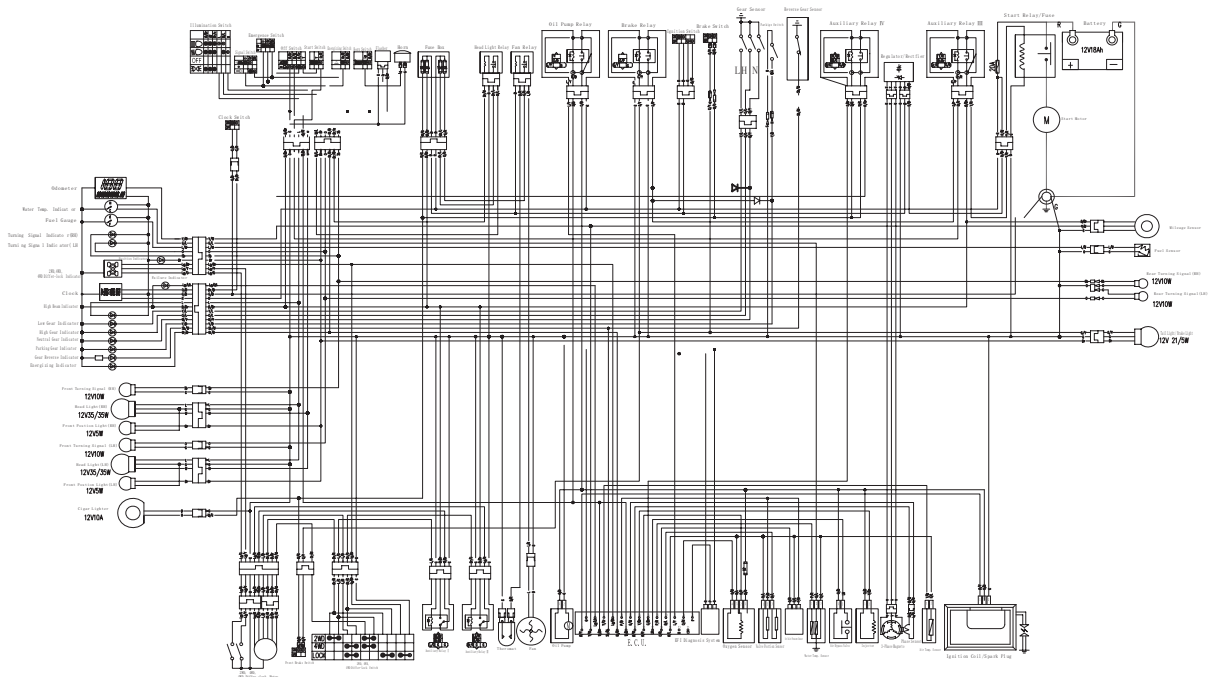
Model Data	CF500-5C/CF625-C
Steering Gear	Mechanical Type
Absorber(Front, Rear)	Helix-Spring-Damped Type
Max. Turning Angle, Fr. Wheel	31
Locking Angle of Steering (L, R) (°)	30
Model Data	CF500-5C/CF625-C
Thermostat (°C)	Initial Temperature 71 ± 3 : Full Opening Temperature $80 \sim 83$
Boiling / Freezing Point of Coolant (°C)	109/-35

Main Technical Data

Data \ Model	CF500-5C/CF625-C
Coolant Capacity (L)	Initial: 2.0; Replacement: 1.9
Shift Operation Mode	Manual
Muffler Type	Compound Impedance

Main Technical Data

Data		Model	CF500-5C/CF625-C
Battery		Lead-acid Battery	
Battery Type		6-M-18 (12V 18AH)	
Bulbs, Quantity, Type	Front Light	12V 5Wx2; W5W	
	Head Light	H1/H3 12V55W×4	
	Turning Light	Amber Lamp Cover:R10W12V10W Transparent Lamp Cover:RY10W12V10W	
	Rear Brake/ Rear Light	Red: R21/5W12V21W/5W 2 pcs	
Engine:		Single Cylinder, Liquid-Cooled, SOHC, 4-Stroke Bore×Stroke (mm) : 96×82 Displacement (ml) : 594 Compression Ratio: 10 : 1 Starting: Electrical Starting/Manual Starting	



R-Red B-Black G-Green Lh-Blue/Red GY-Grey/Yellow YR-Yellow/Red B-Black Y-Yellow L-Black W-White O-Orange B/B-Black/Black W/W-White/Green GB-Green/Black BL-Black/Blue YW-Yellow/White olw-Green/White olB-Green/Black
 LB-Blue/Black BW-Black/White BY-Black/Yellow WY-White/Yellow Lp-Light Green G-Grey GL-Green/Black GR-Green/Red B-Black WL-White/Black RW-Red/White BR-Black/Red YB-Yellow/Black LW-Black/White YB-Yellow/Black GR-Grey/Red
 olR-Grey/White B/R-Black/Red LB-Black/Black B/G-Black/Green Lp/Lp-Green/Red LB-Black Green WB-White/Black Lp/Lp-Light Green/Yellow Lp/B-Light Black B/B-Grey/Black ol-Orange/Black S/W-Sub/White



ZHE JIANG CFMOTO POWER CO.,LTD.

Add: NO.116 Wuzhou Road, Yuhang Economic Development
Zone, Hangzhou, Zhejiang 311100, China

Tel: 0571-89265684 Fax:0571-89265696

Website: WWW.cfmoto.com